

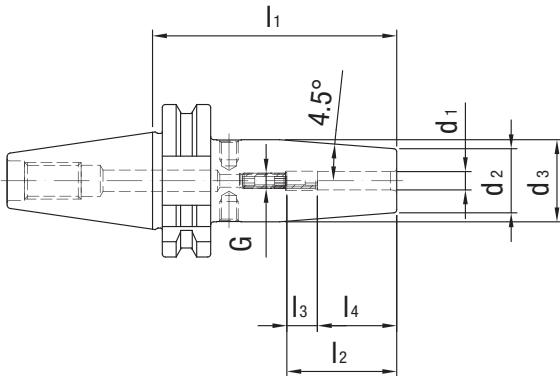
31 avenue des lacs 74950 SCIONZIER  
Tel : 04 50 18 030 27 Fax : 04 50 18 30 28  
md@mecadiffusion.net  
www.mecadiffusion.com



[www.mecadiffusion.com](http://www.mecadiffusion.com)

# Shrink Chuck ISO 7388-1, Form AD

(prev. DIN 69871-AD)



Nominal size SK/ISO	Dimensions							G	sw	Weight [kg]	Order designation	Order No.
	$d_1$	$d_2$	$d_3$	$l_1$	$l_2$	$l_3$	$l_4$					
30	3	10	17	80	28	16	12	M6	2	0.5	15.306.30.03.Z	30337201
30	4	15	22	80	28	12	16	M6	2	0.5	15.306.30.04.Z	30337202
30	5	15	22	80	30	10	20	M6	2	0.5	15.306.30.05.Z	30337203
30	6	21	27	80	36	10	26	M5	2.5	0.6	15.306.30.06.Z	30337204
30	8	21	27	80	36	10	26	M6	3	0.6	15.306.30.08.Z	30337205
30	10	24	32	80	41	10	31	M8x1	3	0.6	15.306.30.10.Z	30337206
30	12	24	32	80	47	10	37	M10x1	5	0.7	15.306.30.12.Z	30337207
30	14	27	34	80	47	10	37	M10x1	5	0.7	15.306.30.14.Z	30337208
30	16	27	34	80	50	10	40	M12x1	5	0.7	15.306.30.16.Z	30337209
30	18	33	42	80	50	10	40	M12x1	5	0.8	15.306.30.18.Z	30337210
30	20	33	42	80	52	10	42	M16x1	5	0.8	15.306.30.20.Z	30337211

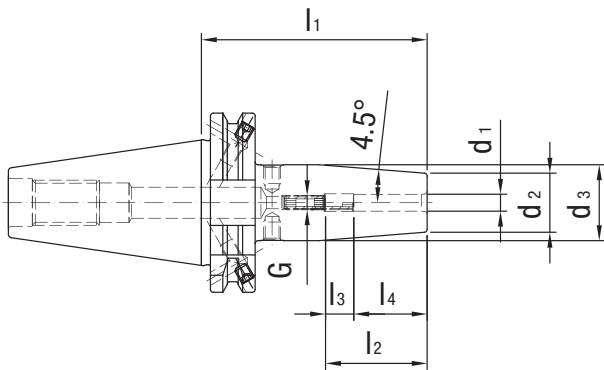
Dimensions in mm.

Shrink extensions, spare parts and accessories at the end of this chapter.

Custom designs available on request.

# Shrink Chuck ISO 7388-1, Form AD/AF

(prev. DIN 69871-AD/B)



Nominal size SK/ISO	Dimensions							G	sw	Weight [kg]	Order designation	Order No.
	d <sub>1</sub>	d <sub>2</sub>	d <sub>3</sub>	l <sub>1</sub>	l <sub>2</sub>	l <sub>3</sub>	l <sub>4</sub>					
40	3	10	17	80	28	16	12	M6	2	0.9	15.306.40.03.Z	30337097
40	4	15	22	80	28	12	16	M6	2	0.9	15.306.40.04.Z	30337098
40	5	15	22	80	30	10	20	M6	2	0.9	15.306.40.05.Z	30337099
40	6	21	27	80	36	10	26	M5	2.5	1	15.306.40.06.Z	30337100
40	7	21	27	80	36	10	26	M5	2.5	1	15.306.40.07.Z	30337101
40	8	21	27	80	36	10	26	M6	3	1	15.306.40.08.Z	30337102
40	9	21	27	80	36	10	26	M6	3	1	15.306.40.09.Z	30337103
40	10	24	32	80	41	10	31	M8x1	3	1	15.306.40.10.Z	30337104
40	11	24	32	80	41	10	31	M8x1	3	1	15.306.40.11.Z	30337105
40	12	24	32	80	47	10	37	M10x1	5	1	15.306.40.12.Z	30337106
40	13	24	32	80	47	10	37	M10x1	5	1.2	15.306.40.13.Z	30337107
40	14	27	34	80	47	10	37	M10x1	5	1	15.306.40.14.Z	30337108
40	15	27	34	80	47	10	37	M10x1	5	1.3	15.306.40.15.Z	30337109
40	16	27	34	80	50	10	40	M12x1	5	1	15.306.40.16.Z	30337110
40	18	33	42	80	50	10	40	M12x1	5	1.1	15.306.40.18.Z	30337111
40	20	33	42	80	52	10	42	M16x1	8	1.1	15.306.40.20.Z	30337112
40	25	44	53	100	58	10	48	M16x1	8	1.6	15.306.40.25.Z	30337113
40	32	44	53	100	62	10	52	M16x1	8	1.4	15.306.40.32.Z	30337114

Dimensions in mm.

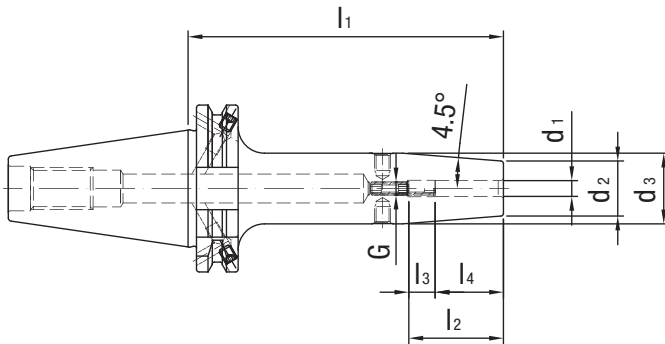
Basic form AD. Please indicate form AF (prev. B) in your order.

Shrink extensions, spare parts and accessories at the end of this chapter.

Custom designs available on request.

# Shrink Chuck ISO 7388-1, Form AD/AF

(prev. DIN 69871-AD/B), long design



Nominal size SK/ISO	Dimensions							G	sw	Weight [kg]	Order designation	Order No.
	d <sub>1</sub>	d <sub>2</sub>	d <sub>3</sub>	l <sub>1</sub>	l <sub>2</sub>	l <sub>3</sub>	l <sub>4</sub>					
40	3	10	20	120	-	-	12	-	-	0.9	15.306.40.03.Z/120	30337212
40	3	10	20	160	-	-	12	-	-	1	15.306.40.03.Z/160	30337213
40	3	10	20	200	-	-	12	-	-	1.1	15.306.40.03.Z/200	30562522
40	4	15	22	120	-	-	16	-	-	1	15.306.40.04.Z/120	30337214
40	4	15	22	160	-	-	16	-	-	1.1	15.306.40.04.Z/160	30337215
40	4	15	22	200	-	-	16	-	-	1.2	15.306.40.04.Z/200	30562523
40	5	15	22	120	-	-	20	-	-	1	15.306.40.05.Z/120	30337216
40	5	15	22	160	-	-	20	-	-	1.1	15.306.40.05.Z/160	30337217
40	5	15	22	200	-	-	20	-	-	1.2	15.306.40.05.Z/200	30562524
40	6	21	27	120	36	10	26	M5	2.5	1.1	15.306.40.06.Z/120	30337218
40	6	21	27	160	36	10	26	M5	2.5	1.3	15.306.40.06.Z/160	30337219
40	6	21	27	200	36	10	26	M5	2.5	1.4	15.306.40.06.Z/200	30562525
40	8	21	27	120	36	10	26	M6	3	1.1	15.306.40.08.Z/120	30337220
40	8	21	27	160	36	10	26	M6	3	1.3	15.306.40.08.Z/160	30337221
40	8	21	27	200	36	10	26	M6	3	1.4	15.306.40.08.Z/200	30562526
40	10	24	32	120	41	10	31	M8x1	3	1.2	15.306.40.10.Z/120	30337222
40	10	24	32	160	41	10	31	M8x1	3	1.5	15.306.40.10.Z/160	30337223
40	10	24	32	200	41	10	31	M8x1	3	1.7	15.306.40.10.Z/200	30562527
40	12	24	32	120	47	10	37	M10x1	5	1.2	15.306.40.12.Z/120	30337224
40	12	24	32	160	47	10	37	M10x1	5	1.5	15.306.40.12.Z/160	30337225
40	12	24	32	200	47	10	37	M10x1	5	1.7	15.306.40.12.Z/200	30337226
40	14	27	34	120	47	10	37	M10x1	5	1.3	15.306.40.14.Z/120	30337227
40	14	27	34	160	47	10	37	M10x1	5	1.6	15.306.40.14.Z/160	30337228
40	14	27	34	200	47	10	37	M10x1	5	1.8	15.306.40.14.Z/200	30562530
40	16	27	34	120	50	10	40	M12x1	5	1.3	15.306.40.16.Z/120	30337229
40	16	27	34	160	50	10	40	M12x1	5	1.6	15.306.40.16.Z/160	30337230
40	16	27	34	200	50	10	40	M12x1	5	1.8	15.306.40.16.Z/200	30562531
40	18	33	42	120	50	10	40	M12x1	5	1.5	15.306.40.18.Z/120	30337231
40	18	33	42	160	50	10	40	M12x1	5	1.7	15.306.40.18.Z/160	30337232
40	18	33	42	200	50	10	40	M12x1	5	1.9	15.306.40.18.Z/200	30562534

Continued on next page

Dimensions in mm.

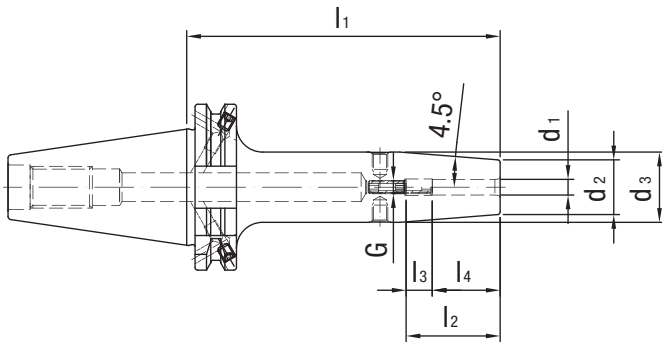
Basic form AD. Please indicate form AF (prev. B) in your order.

Shrink extensions, spare parts and accessories at the end of this chapter.

Custom designs available on request.

# Shrink Chuck ISO 7388-1, Form AD/AF

(prev. DIN 69871-AD/B), long design



Nominal size SK/ISO	Dimensions							G	sw	Weight [kg]	Order designation	Order No.
	d <sub>1</sub>	d <sub>2</sub>	d <sub>3</sub>	l <sub>1</sub>	l <sub>2</sub>	l <sub>3</sub>	l <sub>4</sub>					
40	20	33	42	120	52	10	42	M16x1	8	1.5	15.306.40.20.Z/120	30337233
40	20	33	42	160	52	10	42	M16x1	8	1.8	15.306.40.20.Z/160	30337234
40	20	33	42	200	52	10	42	M16x1	8	2	15.306.40.20.Z/200	30562535
40	25	44	53	120	58	10	48	M16x1	8	1.8	15.306.40.25.Z/120	30337235
40	25	44	53	160	58	10	48	M16x1	8	2.5	15.306.40.25.Z/160	30337236
40	25	44	53	200	58	10	48	M16x1	8	2.8	15.306.40.25.Z/200	30562536
40	32	44	53	120	62	10	52	M16x1	8	1.7	15.306.40.32.Z/120	30337237
40	32	44	53	160	62	10	52	M16x1	8	2.4	15.306.40.32.Z/160	30337238
40	32	44	53	200	62	10	52	M16x1	8	3.2	15.306.40.32.Z/200	30562537

Dimensions in mm.

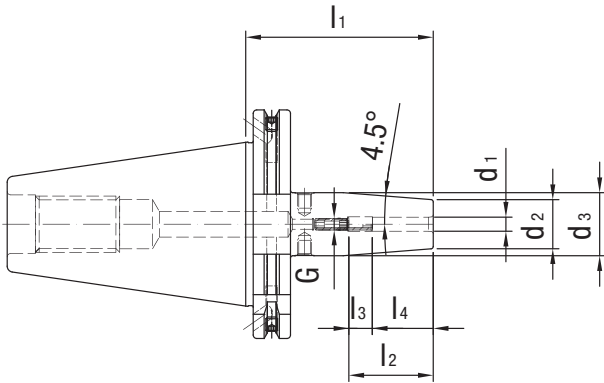
Basic form AD. Please indicate form AF (prev. B) in your order.

Shrink extensions, spare parts and accessories at the end of this chapter.

Custom designs available on request.

# Shrink Chuck ISO 7388-1, Form AD/AF

(prev. DIN 69871-AD/B)



Nominal size SK/ISO	Dimensions							G	sw	Weight [kg]	Order designation	Order No.
	$d_1$	$d_2$	$d_3$	$l_1$	$l_2$	$l_3$	$l_4$					
50	3	10	17	80	-	-	12	-	-	2.7	15.306.50.03.Z	30337239
50	4	15	22	80	-	-	16	-	-	2.7	15.306.50.04.Z	30337242
50	5	15	22	80	-	-	20	-	-	2.7	15.306.50.05.Z	30337245
50	6	21	27	80	36	10	26	M5	2.5	2.8	15.306.50.06.Z	30337248
50	8	21	27	80	36	10	26	M6	3	2.8	15.306.50.08.Z	30337251
50	10	24	32	80	41	10	31	M8x1	3	2.8	15.306.50.10.Z	30337254
50	12	24	32	80	47	10	37	M10x1	5	2.8	15.306.50.12.Z	30337257
50	14	27	34	80	47	10	37	M10x1	5	2.9	15.306.50.14.Z	30337260
50	16	27	34	80	50	10	40	M12x1	5	2.9	15.306.50.16.Z	30337263
50	18	33	42	80	50	10	40	M12x1	5	3	15.306.50.18.Z	30337266
50	20	33	42	80	52	10	42	M16x1	8	3	15.306.50.20.Z	30337269
50	25	44	53	100	58	10	48	M16x1	8	3.5	15.306.50.25.Z	30337272
50	32	44	53	100	62	10	52	M16x1	8	3.3	15.306.50.32.Z	30337275

Dimensions in mm.

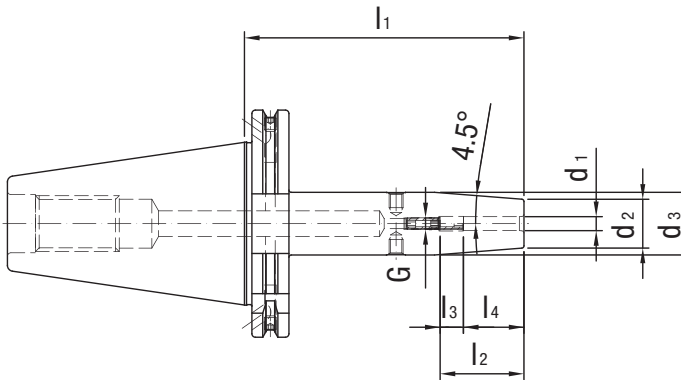
Basic form AD. Please indicate form AF (prev. B) in your order.

Shrink extensions, spare parts and accessories at the end of this chapter.

Custom designs available on request.

# Shrink Chuck ISO 7388-1, Form AD/AF

(prev. DIN 69871-AD/B), long design



Nominal size SK/ISO	Dimensions							G	sw	Weight [kg]	Order designation	Order No.
	d <sub>1</sub>	d <sub>2</sub>	d <sub>3</sub>	l <sub>1</sub>	l <sub>2</sub>	l <sub>3</sub>	l <sub>4</sub>					
50	3	10	20	120	-	-	12	-	-	2.8	15.306.50.03.Z/120	30337240
50	3	10	20	160	-	-	12	-	-	3	15.306.50.03.Z/160	30337241
50	4	15	22	120	-	-	16	-	-	2.8	15.306.50.04.Z/120	30337243
50	4	15	22	160	-	-	16	-	-	3	15.306.50.04.Z/160	30337244
50	5	15	22	120	-	-	20	-	-	2.8	15.306.50.05.Z/120	30337246
50	5	15	22	160	-	-	20	-	-	3	15.306.50.05.Z/160	30337247
50	6	21	27	120	36	10	26	M5	2.5	2.9	15.306.50.06.Z/120	30337249
50	6	21	27	160	36	10	26	M5	2.5	3.1	15.306.50.06.Z/160	30337250
50	8	21	27	120	36	10	26	M6	3	3	15.306.50.08.Z/120	30337252
50	8	21	27	160	36	10	26	M6	3	3.1	15.306.50.08.Z/160	30337253
50	10	24	32	120	41	10	31	M8x1	3	3	15.306.50.10.Z/120	30337255
50	10	24	32	160	41	10	31	M8x1	3	3.3	15.306.50.10.Z/160	30337256
50	12	24	32	120	47	10	37	M10x1	5	3	15.306.50.12.Z/120	30337258
50	12	24	32	160	47	10	37	M10x1	5	3.3	15.306.50.12.Z/160	30337259
50	14	27	34	120	47	10	37	M10x1	5	3.1	15.306.50.14.Z/120	30337261
50	14	27	34	160	47	10	37	M10x1	5	3.4	15.306.50.14.Z/160	30337262
50	16	27	34	120	50	10	40	M12x1	5	3.1	15.306.50.16.Z/120	30337264
50	16	27	34	160	50	10	40	M12x1	5	3.5	15.306.50.16.Z/160	30337265
50	18	33	42	120	50	10	40	M12x1	5	3.3	15.306.50.18.Z/120	30337267
50	18	33	42	160	50	10	40	M12x1	5	3.7	15.306.50.18.Z/160	30337268
50	20	33	42	120	52	10	42	M16x1	8	3.3	15.306.50.20.Z/120	30337270
50	20	33	42	160	52	10	42	M16x1	8	3.7	15.306.50.20.Z/160	30337271
50	25	44	53	120	58	10	48	M16x1	8	3.8	15.306.50.25.Z/120	30337273
50	25	44	53	160	58	10	48	M16x1	8	4	15.306.50.25.Z/160	30337274
50	32	44	53	120	62	10	52	M16x1	8	3.8	15.306.50.32.Z/120	30337276
50	32	44	53	160	62	10	52	M16x1	8	4	15.306.50.32.Z/160	30337277

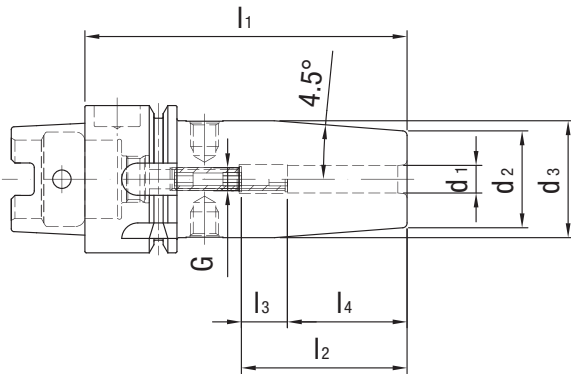
Dimensions in mm.

Basic form AD. Please indicate form AF (prev. B) in your order.

Shrink extensions, spare parts and accessories at the end of this chapter.

Custom designs available on request.

# Shrink Chuck DIN 69893-A



Nominal size HSK-A	Dimensions							G	sw	Weight [kg]	Order designation	Order No.
	$d_1$	$d_2$	$d_3$	$l_1$	$l_2$	$l_3$	$l_4$					
32	3	10	15	60	28	16	12	M5	2	0.2	16.306.32.03.Z	30337360
32	4	10	15	60	28	12	16	M5	2	0.2	16.306.32.04.Z	30337361
32	5	10	15	60	30	10	20	M6	2	0.2	16.306.32.05.Z	30337362
32	6	21	25	70	36	10	26	M5	2.5	0.3	16.306.32.06.Z	30337363
32	8	21	25	70	36	10	26	M6	3	0.3	16.306.32.08.Z	30337364
32	10	24	29	75	41	10	31	M8x1	3	0.4	16.306.32.10.Z	30337365
32	12	24	29	80	47	10	37	M10x1	5	0.4	16.306.32.12.Z	30337366

Dimensions in mm.

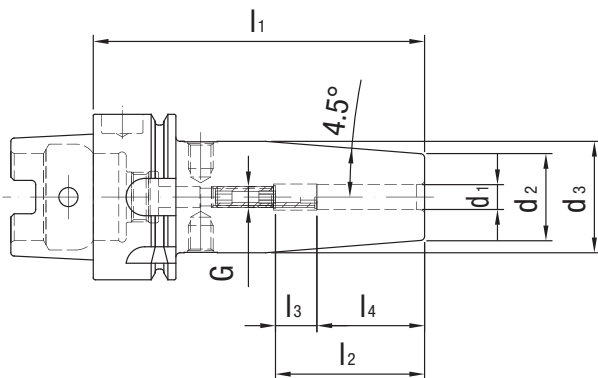
MQL-capable design possible on request.

Shrink extensions, spare parts and accessories at the end of this chapter.

Custom designs available on request.



## Shrink Chuck DIN 69893-A



Nominal size HSK-A	Dimensions							G	sw	Weight [kg]	Order designation	Order No.
	d <sub>1</sub>	d <sub>2</sub>	d <sub>3</sub>	l <sub>1</sub>	l <sub>2</sub>	l <sub>3</sub>	l <sub>4</sub>					
40	3	10	15	60	28	16	12	M6	2	0.3	16.306.40.03.Z	30337367
40	4	10	15	60	28	12	16	M6	2	0.3	16.306.40.04.Z	30337370
40	5	10	15	60	30	10	20	M6	2	0.3	16.306.40.05.Z	30337373
40	6	21	27	80	36	10	26	M5	2.5	0.4	16.306.40.06.Z	30337376
40	8	21	27	80	36	10	26	M6	3	0.4	16.306.40.08.Z	30337379
40	10	24	32	80	41	10	31	M8x1	3	0.5	16.306.40.10.Z	30337382
40	12	24	32	90	47	10	37	M10x1	5	0.5	16.306.40.12.Z	30337385
40	14	27	33.5	90	47	10	37	M10x1	5	0.6	16.306.40.14.Z	30337388
40	16	27	33.5	90	50	10	40	M12x1	5	0.5	16.306.40.16.Z	30337391

Dimensions in mm.

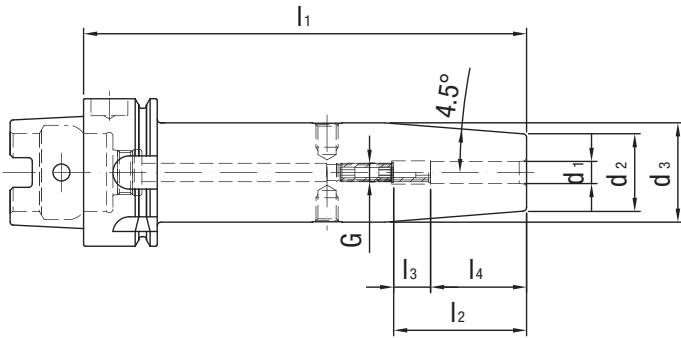
MQL-capable design possible on request.

Shrink extensions, spare parts and accessories at the end of this chapter.

Custom designs available on request.

# Shrink Chuck DIN 69893-A

Long design



Nominal size HSK-A	Dimensions							G	sw	Weight [kg]	Order designation	Order No.
	d <sub>1</sub>	d <sub>2</sub>	d <sub>3</sub>	l <sub>1</sub>	l <sub>2</sub>	l <sub>3</sub>	l <sub>4</sub>					
40	3	10	20	120	-	-	12	-	-	0.4	16.306.40.03.Z/120	30337368
40	3	10	20	160	-	-	12	-	-	0.5	16.306.40.03.Z/160	30337369
40	4	15	22	120	-	-	16	-	-	0.4	16.306.40.04.Z/120	30337371
40	4	15	22	160	-	-	16	-	-	0.5	16.306.40.04.Z/160	30337372
40	5	15	22	120	-	-	20	-	-	0.4	16.306.40.05.Z/120	30337374
40	5	15	22	160	-	-	20	-	-	0.5	16.306.40.05.Z/160	30337375
40	6	21	27	120	36	10	26	M5	2.5	0.6	16.306.40.06.Z/120	30337377
40	6	21	27	160	36	10	26	M5	2.5	0.7	16.306.40.06.Z/160	30337378
40	8	21	27	120	36	10	26	M6	3	0.6	16.306.40.08.Z/120	30337380
40	8	21	27	160	36	10	26	M6	3	0.7	16.306.40.08.Z/160	30337381
40	10	24	32	120	41	10	31	M8x1	3	0.7	16.306.40.10.Z/120	30337383
40	10	24	32	160	41	10	31	M8x1	3	0.8	16.306.40.10.Z/160	30337384
40	12	24	32	120	47	10	37	M10x1	5	0.7	16.306.40.12.Z/120	30337386
40	12	24	32	160	47	10	37	M10x1	5	0.8	16.306.40.12.Z/160	30337387
40	14	27	33.5	120	47	10	37	M10x1	5	0.8	16.306.40.14.Z/120	30337389
40	14	27	33.5	160	47	10	37	M10x1	5	0.9	16.306.40.14.Z/160	30337390
40	16	27	33.5	120	50	10	40	M12x1	5	0.7	16.306.40.16.Z/120	30337392
40	16	27	33.5	160	50	10	40	M12x1	5	0.8	16.306.40.16.Z/160	30337393

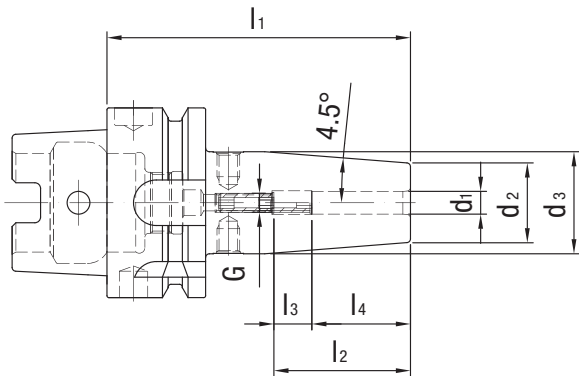
Dimensions in mm.

MQL-capable design possible on request.

Shrink extensions, spare parts and accessories at the end of this chapter.

Custom designs available on request.

# Shrink Chuck DIN 69893-A



Nominal size HSK-A	Dimensions							G	sw	Weight [kg]	Order designation	Order No.
	$d_1$	$d_2$	$d_3$	$l_1$	$l_2$	$l_3$	$l_4$					
50	3	10	15	80	28	16	12	M6	2	0.4	16.306.50.03.Z	30337394
50	4	15	22	80	28	12	16	M6	2	0.5	16.306.50.04.Z	30337397
50	5	15	22	80	30	10	20	M6	2	0.5	16.306.50.05.Z	30337400
50	6	21	27	80	36	10	26	M5	2.5	0.7	16.306.50.06.Z	30337403
50	8	21	27	80	36	10	26	M6	3	0.6	16.306.50.08.Z	30337407
50	10	24	32	85	41	10	31	M8x1	3	0.7	16.306.50.10.Z	30337410
50	12	24	32	90	47	10	37	M10x1	5	0.7	16.306.50.12.Z	30337413
50	14	27	34	90	47	10	37	M10x1	5	0.7	16.306.50.14.Z	30337416
50	16	27	34	95	50	10	40	M12x1	5	0.7	16.306.50.16.Z	30337419
50	18	33	42	95	50	10	40	M12x1	5	0.9	16.306.50.18.Z	30337422
50	20	33	42	100	52	10	42	M16x1	5	0.9	16.306.50.20.Z	30337425

Dimensions in mm.

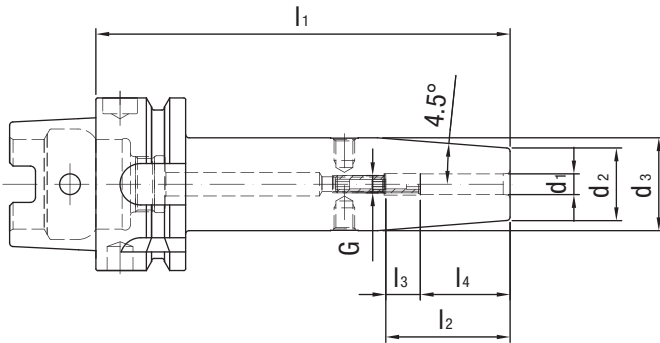
MQL-capable design possible on request.

Shrink extensions, spare parts and accessories at the end of this chapter.

Custom designs available on request.

# Shrink Chuck DIN 69893-A

Long design



Nominal size HSK-A	Dimensions							G	sw	Weight [kg]	Order designation	Order No.
	d <sub>1</sub>	d <sub>2</sub>	d <sub>3</sub>	l <sub>1</sub>	l <sub>2</sub>	l <sub>3</sub>	l <sub>4</sub>					
50	3	10	20	120	-	-	12	-	-	0.5	16.306.50.03.Z/120	30337395
50	3	10	20	160	-	-	12	-	-	0.6	16.306.50.03.Z/160	30337396
50	4	15	22	120	-	-	16	-	-	0.6	16.306.50.04.Z/120	30337398
50	4	15	22	160	-	-	16	-	-	0.7	16.306.50.04.Z/160	30337399
50	5	15	22	120	-	-	20	-	-	0.6	16.306.50.05.Z/120	30337401
50	5	15	22	160	-	-	20	-	-	0.7	16.306.50.05.Z/160	30337402
50	6	21	27	120	36	10	26	M5	2.5	0.8	16.306.50.06.Z/120	30337404
50	6	21	27	160	36	10	26	M5	2.5	0.9	16.306.50.06.Z/160	30337405
50	8	21	27	120	36	10	26	M6	3	0.8	16.306.50.08.Z/120	30337408
50	8	21	27	160	36	10	26	M6	3	0.9	16.306.50.08.Z/160	30337409
50	10	24	32	120	41	10	31	M8x1	3	0.8	16.306.50.10.Z/120	30337411
50	10	24	32	160	41	10	31	M8x1	3	0.9	16.306.50.10.Z/160	30337412
50	12	24	32	120	47	10	37	M10x1	5	0.8	16.306.50.12.Z/120	30337414
50	12	24	32	160	47	10	37	M10x1	5	0.9	16.306.50.12.Z/160	30337415
50	14	27	34	120	47	10	37	M10x1	5	0.8	16.306.50.14.Z/120	30337417
50	14	27	34	160	47	10	37	M10x1	5	0.9	16.306.50.14.Z/160	30337418
50	16	27	34	120	50	10	40	M12x1	5	0.8	16.306.50.16.Z/120	30337420
50	16	27	34	160	50	10	40	M12x1	5	0.9	16.306.50.16.Z/160	30337421
50	18	33	42	120	50	10	40	M12x1	5	1	16.306.50.18.Z/120	30337423
50	18	33	42	160	50	10	40	M12x1	5	1.1	16.306.50.18.Z/160	30337424
50	20	33	42	120	52	10	42	M16x1	5	1	16.306.50.20.Z/120	30337426
50	20	33	42	160	52	10	42	M16x1	5	1.1	16.306.50.20.Z/160	30337427

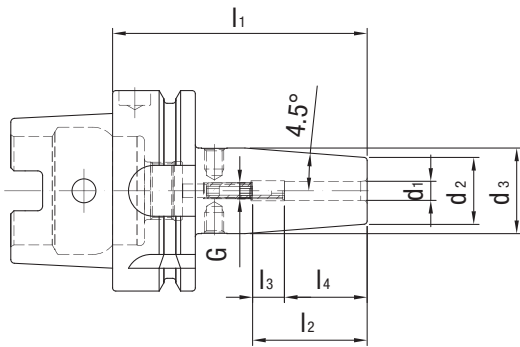
Dimensions in mm.

MQL-capable design possible on request.

Shrink extensions, spare parts and accessories at the end of this chapter.

Custom designs available on request.

# Shrink Chuck DIN 69893-A



Nominal size HSK-A	Dimensions							G	sw	Weight [kg]	Order designation	Order No.
	d <sub>1</sub>	d <sub>2</sub>	d <sub>3</sub>	l <sub>1</sub>	l <sub>2</sub>	l <sub>3</sub>	l <sub>4</sub>					
63	3	10	15	80	28	16	12	M6	2	0.7	16.306.63.03.Z	30337115
63	4	15	22	80	28	12	16	M6	2	0.7	16.306.63.04.Z	30337116
63	5	15	22	80	30	10	20	M6	2	0.7	16.306.63.05.Z	30337117
63	6	21	27	80	36	10	26	M5	2.5	0.8	16.306.63.06.Z	30337118
63	7	21	27	80	36	10	26	M5	2.5	0.8	16.306.63.07.Z	30337119
63	8	21	27	80	36	10	26	M6	3	0.8	16.306.63.08.Z	30337120
63	9	21	27	80	36	10	26	M6	3	0.9	16.306.63.09.Z	30337121
63	10	24	32	85	41	10	31	M8x1	3	0.9	16.306.63.10.Z	30337122
63	11	24	32	85	41	10	31	M8x1	3	0.9	16.306.63.11.Z	30337123
63	12	24	32	90	47	10	37	M10x1	5	0.9	16.306.63.12.Z	30337124
63	13	24	32	90	47	10	37	M10x1	5	0.9	16.306.63.13.Z	30337125
63	14	27	34	90	47	10	37	M10x1	5	0.9	16.306.63.14.Z	30337126
63	15	27	34	90	47	10	37	M10x1	5	1	16.306.63.15.Z	30337127
63	16	27	34	95	50	10	40	M12x1	5	1	16.306.63.16.Z	30337128
63	18	33	42	95	50	10	40	M12x1	5	1.1	16.306.63.18.Z	30337129
63	20	33	42	100	52	10	42	M16x1	5	1.1	16.306.63.20.Z	30337130
63	25	44	53	115	58	10	48	M16x1	5	1.6	16.306.63.25.Z	30337131
63	32	44	53	120	62	10	52	M16x1	5	1.6	16.306.63.32.Z	30337132

Dimensions in mm.

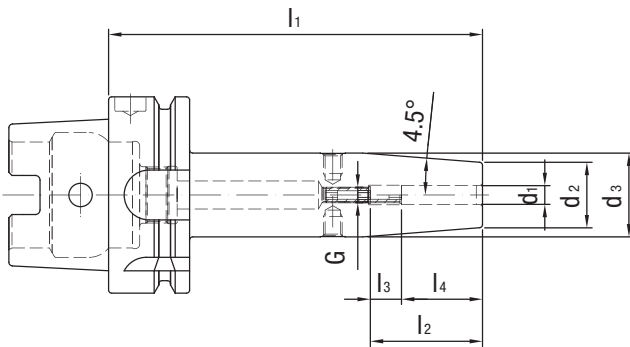
MQL-capable design possible on request.

Shrink extensions, spare parts and accessories at the end of this chapter.

Custom designs available on request.

# Shrink Chuck DIN 69893-A

Long design



Nominal size HSK-A	Dimensions							G	sw	Weight [kg]	Order designation	Order No.
	d <sub>1</sub>	d <sub>2</sub>	d <sub>3</sub>	l <sub>1</sub>	l <sub>2</sub>	l <sub>3</sub>	l <sub>4</sub>					
63	3	10	20	120	-	-	12	-	-	0.8	16.306.63.03.Z/120	30337428
63	3	10	20	160	-	-	12	-	-	0.8	16.306.63.03.Z/160	30337429
63	3	10	20	200	-	-	12	-	-	1	16.306.63.03.Z/200	30562498
63	4	15	22	120	-	-	16	-	-	0.8	16.306.63.04.Z/120	30337430
63	4	15	22	160	-	-	16	-	-	0.9	16.306.63.04.Z/160	30337431
63	4	15	22	200	-	-	16	-	-	1	16.306.63.04.Z/200	30562500
63	5	15	22	120	-	-	20	-	-	0.8	16.306.63.05.Z/120	30337432
63	5	15	22	160	-	-	20	-	-	0.9	16.306.63.05.Z/160	30337433
63	5	15	22	200	-	-	20	-	-	1.1	16.306.63.05.Z/200	30562502
63	6	21	27	120	36	10	26	M5	2.5	1	16.306.63.06.Z/120	30337434
63	6	21	27	160	36	10	26	M5	2.5	1.1	16.306.63.06.Z/160	30337435
63	6	21	27	200	36	10	26	M5	2.5	1.4	16.306.63.06.Z/200	30526480
63	8	21	27	120	36	10	26	M6	3	1	16.306.63.08.Z/120	30337436
63	8	21	27	160	36	10	26	M6	3	1.1	16.306.63.08.Z/160	30337437
63	8	21	27	200	36	10	26	M6	3	1.4	16.306.63.08.Z/200	30337438
63	10	24	32	120	41	10	31	M8x1	3	1	16.306.63.10.Z/120	30337439
63	10	24	32	160	41	10	31	M8x1	3	1.3	16.306.63.10.Z/160	30337440
63	10	24	32	200	41	10	31	M8x1	3	1.6	16.306.63.10.Z/200	30419210
63	12	24	32	120	47	10	37	M10x1	5	1	16.306.63.12.Z/120	30337441
63	12	24	32	160	47	10	37	M10x1	5	1.2	16.306.63.12.Z/160	30337442
63	12	24	32	200	47	10	37	M10x1	5	1.6	16.306.63.12.Z/200	30425006
63	14	27	34	120	47	10	37	M10x1	5	1.1	16.306.63.14.Z/120	30337443
63	14	27	34	160	47	10	37	M10x1	5	1.3	16.306.63.14.Z/160	30337444
63	14	27	34	200	47	10	37	M10x1	5	1.7	16.306.63.14.Z/200	30526482

Dimensions in mm.

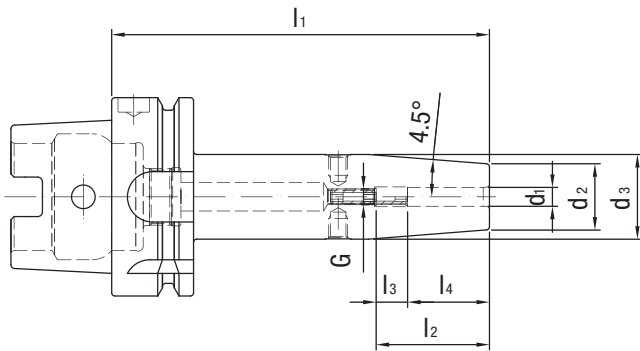
MQL-capable design possible on request.

Shrink extensions, spare parts and accessories at the end of this chapter.

Custom designs available on request.

# Shrink Chuck DIN 69893-A

Long design



Nominal size HSK-A	Dimensions							G	sw	Weight [kg]	Order designation	Order No.
	d <sub>1</sub>	d <sub>2</sub>	d <sub>3</sub>	l <sub>1</sub>	l <sub>2</sub>	l <sub>3</sub>	l <sub>4</sub>					
63	16	27	34	120	50	10	40	M12x1	5	1.1	16.306.63.16.Z/120	30337445
63	16	27	34	160	50	10	40	M12x1	5	1.4	16.306.63.16.Z/160	30337446
63	16	27	34	200	50	10	40	M12x1	5	1.7	16.306.63.16.Z/200	30526485
63	18	33	42	120	50	10	40	M12x1	5	1.3	16.306.63.18.Z/120	30337447
63	18	33	42	160	50	10	40	M12x1	5	1.6	16.306.63.18.Z/160	30337448
63	18	33	42	200	50	10	40	M12x1	5	2.3	16.306.63.18.Z/200	30526487
63	20	33	42	120	52	10	42	M16x1	5	1.3	16.306.63.20.Z/120	30337449
63	20	33	42	160	52	10	42	M16x1	5	1.6	16.306.63.20.Z/160	30337450
63	20	33	42	200	52	10	42	M16x1	5	2.3	16.306.63.20.Z/200	30526488
63	25	44	53	120	58	10	48	M16x1	5	1.7	16.306.63.25.Z/120	30337451
63	25	44	53	160	62	10	48	M16x1	5	2	16.306.63.25.Z/160	30337452
63	25	44	53	200	62	10	48	M16x1	5	3.2	16.306.63.25.Z/200	30526489
63	32	44	53	160	62	10	52	M16x1	5	1.9	16.306.63.32.Z/160	30337453
63	32	44	53	200	62	10	52	M16x1	5	3	16.306.63.32.Z/200	30526491

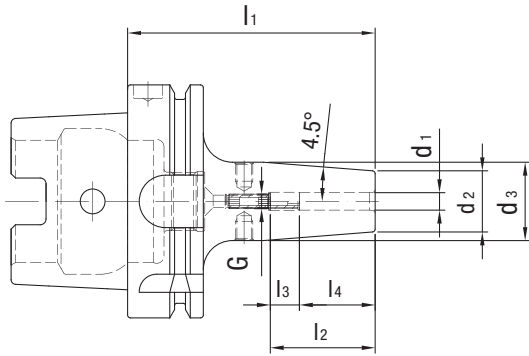
Dimensions in mm.

MQL-capable design possible on request.

Shrink extensions, spare parts and accessories at the end of this chapter.

Custom designs available on request.

# Shrink Chuck DIN 69893-A



Nominal size HSK-A	Dimensions							G	sw	Weight [kg]	Order designation	Order No.
	$d_1$	$d_2$	$d_3$	$l_1$	$l_2$	$l_3$	$l_4$					
80	6	21	27	85	36	10	26	M5	2.5	1.2	16.306.80.06.Z	30337454
80	8	21	27	85	36	10	26	M6	3	1.2	16.306.80.08.Z	30337457
80	10	24	32	90	41	10	31	M8x1	3	1.3	16.306.80.10.Z	30337460
80	12	24	32	95	47	10	37	M10x1	5	1.3	16.306.80.12.Z	30337463
80	14	27	34	95	47	10	37	M10x1	5	1.4	16.306.80.14.Z	30337466
80	16	27	34	100	50	10	40	M12x1	5	1.5	16.306.80.16.Z	30337469
80	18	33	42	100	50	10	40	M12x1	5	1.5	16.306.80.18.Z	30337472
80	20	33	42	105	52	10	42	M16x1	8	1.7	16.306.80.20.Z	30337475
80	25	44	53	115	58	10	48	M16x1	8	2.5	16.306.80.25.Z	30337478
80	32	44	53	120	62	10	52	M16x1	8	2.9	16.306.80.32.Z	30337481

Dimensions in mm.

MQL-capable design possible on request.

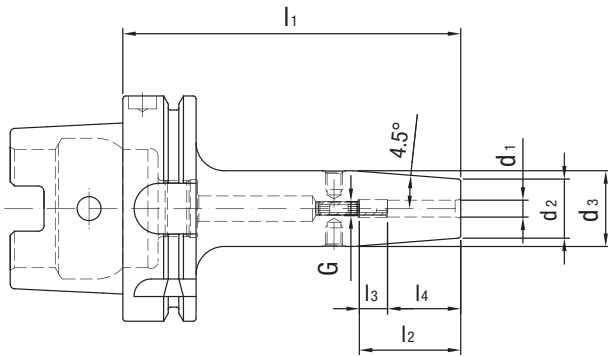
Shrink extensions, spare parts and accessories at the end of this chapter.

Custom designs available on request.



# Shrink Chuck DIN 69893-A

Long design



Nominal size HSK-A	Dimensions							G	sw	Weight [kg]	Order designation	Order No.
	d <sub>1</sub>	d <sub>2</sub>	d <sub>3</sub>	l <sub>1</sub>	l <sub>2</sub>	l <sub>3</sub>	l <sub>4</sub>					
80	6	21	27	120	36	10	26	M5	2.5	1.5	16.306.80.06.Z/120	30337455
80	6	21	27	160	36	10	26	M5	2.5	1.8	16.306.80.06.Z/160	30337456
80	6	21	27	200	36	10	26	M5	2.5	1.8	16.306.80.06.Z/200	30595858
80	8	21	27	120	36	10	26	M6	3	1.5	16.306.80.08.Z/120	30337458
80	8	21	27	160	36	10	26	M6	3	1.8	16.306.80.08.Z/160	30337459
80	8	21	27	200	36	10	26	M6	3	1.8	16.306.80.08.Z/200	30595861
80	10	24	32	120	41	10	31	M8x1	3	1.6	16.306.80.10.Z/120	30337461
80	10	24	32	160	41	10	31	M8x1	3	2	16.306.80.10.Z/160	30337462
80	10	24	32	200	41	10	31	M8x1	3	2	16.306.80.10.Z/200	30595864
80	12	24	32	120	47	10	36	M10x1	5	1.6	16.306.80.12.Z/120	30337464
80	12	24	32	160	47	10	36	M10x1	5	2	16.306.80.12.Z/160	30337465
80	12	24	32	200	47	10	36	M10x1	5	2	16.306.80.12.Z/200	30595871
80	14	27	34	120	47	10	36	M10x1	5	1.7	16.306.80.14.Z/120	30337467
80	14	27	34	160	47	10	36	M10x1	5	2.1	16.306.80.14.Z/160	30337468
80	14	27	34	200	47	10	36	M10x1	5	2.1	16.306.80.14.Z/200	30595873
80	16	27	34	120	50	10	39	M12x1	5	1.8	16.306.80.16.Z/120	30337470
80	16	27	34	160	50	10	39	M12x1	5	2.1	16.306.80.16.Z/160	30337471
80	16	27	34	200	50	10	39	M12x1	5	2.1	16.306.80.16.Z/200	30595874
80	18	33	42	120	50	10	39	M12x1	5	1.9	16.306.80.18.Z/120	30337473
80	18	33	42	160	50	10	39	M12x1	5	2.2	16.306.80.18.Z/160	30337474
80	18	33	42	200	50	10	39	M12x1	5	2.6	16.306.80.18.Z/200	30595876
80	20	33	42	120	52	10	41	M16x1	8	2	16.306.80.20.Z/120	30337476
80	20	33	42	160	52	10	41	M16x1	8	2.3	16.306.80.20.Z/160	30337477
80	20	33	42	200	52	10	41	M16x1	8	2.7	16.306.80.20.Z/200	30595877
80	25	44	53	120	58	10	47	M16x1	8	2.6	16.306.80.25.Z/120	30337479
80	25	44	53	160	58	10	47	M16x1	8	2.9	16.306.80.25.Z/160	30337480
80	25	44	53	200	58	10	47	M16x1	8	3.6	16.306.80.25.Z/200	30595880
80	32	44	53	160	62	10	51	M16x1	8	3.2	16.306.80.32.Z/160	30337482
80	32	44	53	200	62	10	51	M16x1	8	3.5	16.306.80.32.Z/200	30595882

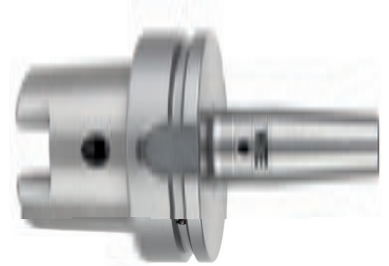
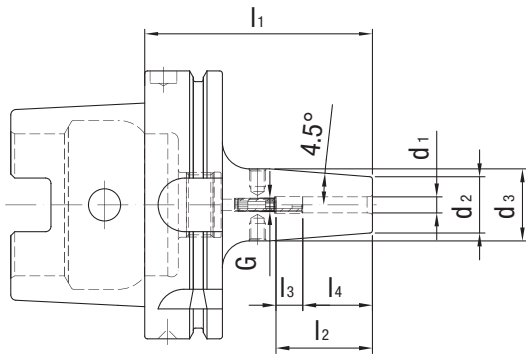
Dimensions in mm.

MQL-capable design possible on request.

Shrink extensions, spare parts and accessories at the end of this chapter.

Custom designs available on request.

# Shrink Chuck DIN 69893-A



Nominal size HSK-A	Dimensions							G	sw	Weight [kg]	Order designation	Order No.
	$d_1$	$d_2$	$d_3$	$l_1$	$l_2$	$l_3$	$l_4$					
100	6	21	27	85	36	10	26	M5	2.5	2.2	16.306.100.06.Z	30337331
100	8	21	27	85	36	10	26	M6	3	2.2	16.306.100.08.Z	30337334
100	10	24	32	90	41	10	31	M8x1	3	2.3	16.306.100.10.Z	30337337
100	12	24	32	95	47	10	37	M10x1	5	2.2	16.306.100.12.Z	30337340
100	14	27	34	95	47	10	37	M10x1	5	2.3	16.306.100.14.Z	30337343
100	16	27	34	100	50	10	40	M12x1	5	2.3	16.306.100.16.Z	30337346
100	18	33	42	100	50	10	40	M12x1	5	2.5	16.306.100.18.Z	30337349
100	20	33	42	105	52	10	42	M16x1	8	2.5	16.306.100.20.Z	30337352
100	25	44	53	115	58	10	48	M16x1	8	3.1	16.306.100.25.Z	30337355
100	32	44	53	120	62	10	52	M16x1	8	3	16.306.100.32.Z	30337358

Dimensions in mm.

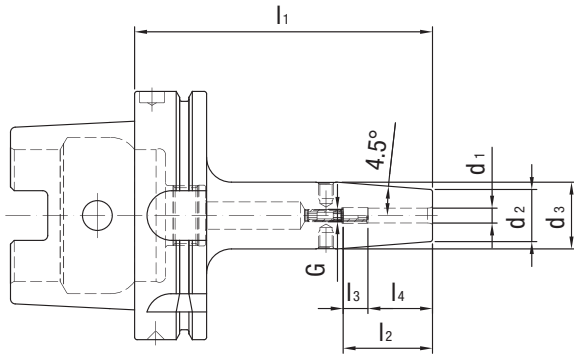
MQL-capable design possible on request.

Shrink extensions, spare parts and accessories at the end of this chapter.

Custom designs available on request.

# Shrink Chuck DIN 69893-A

Long design



Nominal size HSK-A	Dimensions							G	sw	Weight [kg]	Order designation	Order No.
	d <sub>1</sub>	d <sub>2</sub>	d <sub>3</sub>	l <sub>1</sub>	l <sub>2</sub>	l <sub>3</sub>	l <sub>4</sub>					
100	6	21	27	120	36	10	26	M5	2.5	2.4	16.306.100.06.Z/120	30337332
100	6	21	27	160	36	10	26	M5	2.5	2.6	16.306.100.06.Z/160	30337333
100	6	21	27	200	36	10	26	M5	2.5	2.7	16.306.100.06.Z/200	30530904
100	8	21	27	120	36	10	26	M6	3	2.4	16.306.100.08.Z/120	30337335
100	8	21	27	160	36	10	26	M6	3	2.6	16.306.100.08.Z/160	30337336
100	8	21	27	200	36	10	26	M6	3	2.7	16.306.100.08.Z/200	30530906
100	10	24	32	120	41	10	31	M8x1	3	2.5	16.306.100.10.Z/120	30337338
100	10	24	32	160	41	10	31	M8x1	3	2.7	16.306.100.10.Z/160	30337339
100	10	24	32	200	41	10	31	M8x1	3	2.9	16.306.100.10.Z/200	30408832
100	12	24	32	120	47	10	37	M10x1	5	2.5	16.306.100.12.Z/120	30337341
100	12	24	32	160	47	10	37	M10x1	5	2.7	16.306.100.12.Z/160	30337342
100	12	24	32	200	47	10	37	M10x1	5	2.7	16.306.100.12.Z/200	30530907
100	14	27	34	120	47	10	37	M10x1	5	2.5	16.306.100.14.Z/120	30337344
100	14	27	34	160	47	10	37	M10x1	5	2.7	16.306.100.14.Z/160	30337345
100	14	27	34	200	47	10	37	M10x1	5	3	16.306.100.14.Z/200	30530909
100	16	27	34	120	50	10	40	M12x1	5	2.6	16.306.100.16.Z/120	30337347
100	16	27	34	160	50	10	40	M12x1	5	2.9	16.306.100.16.Z/160	30337348
100	16	27	34	200	50	10	40	M12x1	5	3	16.306.100.16.Z/200	30530910
100	18	33	42	120	50	10	40	M12x1	5	2.7	16.306.100.18.Z/120	30337350
100	18	33	42	160	50	10	40	M12x1	5	3	16.306.100.18.Z/160	30337351
100	18	33	42	200	50	10	40	M12x1	5	3.6	16.306.100.18.Z/200	30530911
100	20	33	42	120	52	10	42	M16x1	8	3	16.306.100.20.Z/120	30337353
100	20	33	42	160	52	10	42	M16x1	8	3.4	16.306.100.20.Z/160	30337354
100	20	33	42	200	52	10	42	M16x1	8	3.6	16.306.100.20.Z/200	30530912
100	25	44	53	120	58	10	48	M16x1	8	3.2	16.306.100.25.Z/120	30337356
100	25	44	53	160	58	10	48	M16x1	8	3.6	16.306.100.25.Z/160	30337357
100	25	44	53	200	58	10	48	M16x1	8	4.5	16.306.100.25.Z/200	30530913
100	32	44	53	160	62	10	52	M16x1	8	3.3	16.306.100.32.Z/160	30337359
100	32	44	53	200	62	10	52	M16x1	8	4.4	16.306.100.32.Z/200	30530916

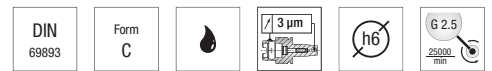
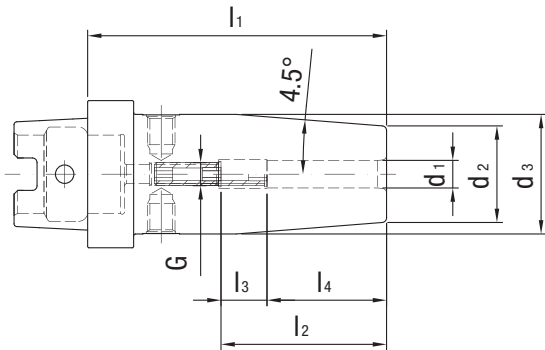
Dimensions in mm.

MQL-capable design possible on request.

Shrink extensions, spare parts and accessories at the end of this chapter.

Custom designs available on request.

# Shrink Chuck DIN 69893-C



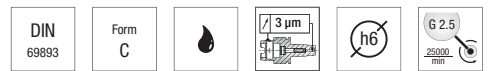
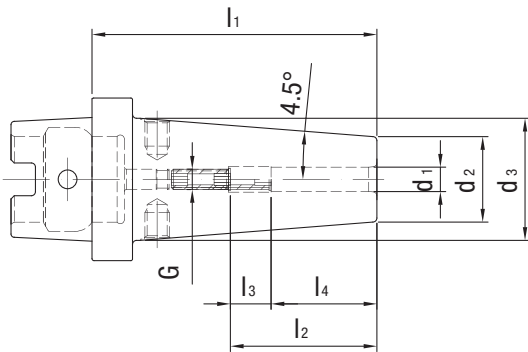
Nominal size HSK-C	Dimensions							G	sw	Weight [kg]	Order designation	Order No.
	$d_1$	$d_2$	$d_3$	$l_1$	$l_2$	$l_3$	$l_4$					
32	3	10	15	60	22	10	12	M5	2	0.2	23.306.32.03.Z	30337760
32	4	10	15	60	26	10	16	M5	2	0.2	23.306.32.04.Z	30337761
32	5	10	15	60	30	10	20	M6	2	0.2	23.306.32.05.Z	30337762
32	6	21	26	65	36	10	26	M5	2.5	0.3	23.306.32.06.Z	30337763
32	8	21	26	65	36	10	26	M6	3	0.3	23.306.32.08.Z	30337764
32	10	24	30	65	41	10	31	M8x1	3	0.4	23.306.32.10.Z	30337765
32	12	24	32	75	47	10	37	M10x1	5	0.4	23.306.32.12.Z	30337766

Dimensions in mm.

Shrink extensions, spare parts and accessories at the end of this chapter.

Custom designs available on request.

# Shrink Chuck DIN 69893-C



Nominal size HSK-C	Dimensions							G	sw	Weight [kg]	Order designation	Order No.
	$d_1$	$d_2$	$d_3$	$l_1$	$l_2$	$l_3$	$l_4$					
40	3	10	15	60	28	16	12	M6	2	0.3	23.306.40.03.Z	30385045
40	4	10	15	60	28	12	16	M6	2	0.3	23.306.40.04.Z	30385046
40	5	10	15	60	30	10	20	M6	2	0.3	23.306.40.05.Z	30385047
40	6	21	30	70	36	10	26	M5	2.5	0.4	23.306.40.06.Z	30337767
40	8	21	30	70	36	10	26	M6	3	0.4	23.306.40.08.Z	30337768
40	10	24	33.5	70	41	10	31	M8x1	3	0.5	23.306.40.10.Z	30337769
40	12	24	35	80	47	10	37	M10x1	5	0.5	23.306.40.12.Z	30337770
40	14	27	38	80	47	10	37	M10x1	5	0.5	23.306.40.14.Z	30337771
40	16	27	38	80	50	10	40	M12x1	5	0.6	23.306.40.16.Z	30337772

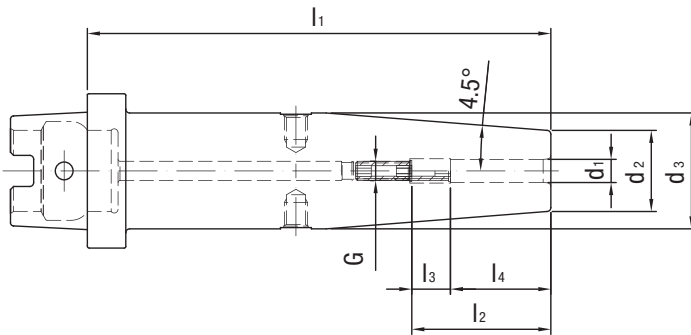
Dimensions in mm.

Shrink extensions, spare parts and accessories at the end of this chapter.

Custom designs available on request.

# Shrink Chuck DIN 69893-C

Long design



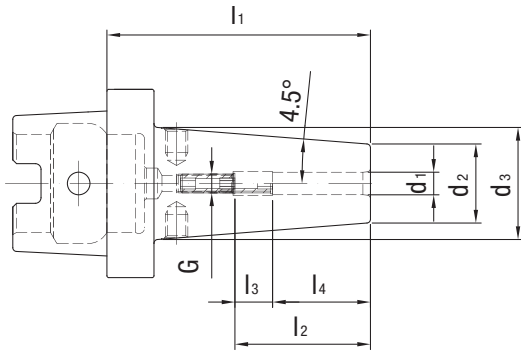
Nominal size HSK-C	Dimensions							G	sw	Weight [kg]	Order designation	Order No.
	d <sub>1</sub>	d <sub>2</sub>	d <sub>3</sub>	l <sub>1</sub>	l <sub>2</sub>	l <sub>3</sub>	l <sub>4</sub>					
40	3	10	20	120	-	-	12	-	-	0.4	23.306.40.03.Z/120	30385049
40	3	10	20	160	-	-	12	-	-	0.5	23.306.40.03.Z/160	30385064
40	4	15	22	120	-	-	16	-	-	0.4	23.306.40.04.Z/120	30385051
40	4	15	22	160	-	-	16	-	-	0.5	23.306.40.04.Z/160	30385072
40	5	15	22	120	-	-	20	-	-	0.4	23.306.40.05.Z/120	30385053
40	5	15	22	160	-	-	20	-	-	0.5	23.306.40.05.Z/160	30385077
40	6	21	30	120	36	10	26	M5	2.5	0.5	23.306.40.06.Z/120	30385055
40	6	21	30	160	36	10	26	M5	2.5	0.6	23.306.40.06.Z/160	30385078
40	8	21	30	120	36	10	26	M6	3	0.5	23.306.40.08.Z/120	30385056
40	8	21	30	160	36	10	26	M6	3	0.6	23.306.40.08.Z/160	30385081
40	10	24	33.5	120	41	10	31	M8x1	3	0.6	23.306.40.10.Z/120	30385057
40	10	24	33.5	160	41	10	31	M8x1	3	0.7	23.306.40.10.Z/160	30385086
40	12	24	35	120	47	10	37	M10x1	5	0.6	23.306.40.12.Z/120	30385058
40	12	24	35	160	47	10	37	M10x1	5	0.7	23.306.40.12.Z/160	30385088
40	14	27	38	120	47	10	37	M10x1	5	0.6	23.306.40.14.Z/120	30385059
40	14	27	38	160	47	10	37	M10x1	5	0.7	23.306.40.14.Z/160	30385089
40	16	27	38	120	50	10	40	M12x1	5	0.7	23.306.40.16.Z/120	30385061
40	16	27	38	160	50	10	40	M12x1	5	0.8	23.306.40.16.Z/160	30385090

Dimensions in mm.

Shrink extensions, spare parts and accessories at the end of this chapter.

Custom designs available on request.

# Shrink Chuck DIN 69893-C



Nominal size HSK-C	Dimensions							G	sw	Weight [kg]	Order designation	Order No.
	$d_1$	$d_2$	$d_3$	$l_1$	$l_2$	$l_3$	$l_4$					
50	3	10	15	70	28	16	12	M6	2	0.4	23.306.50.03.Z	30385096
50	4	15	22	70	28	12	16	M6	2	0.4	23.306.50.04.Z	30385098
50	5	15	22	70	30	10	20	M6	2	0.4	23.306.50.05.Z	30385101
50	6	21	30	70	36	10	26	M5	2.5	0.6	23.306.50.06.Z	30337773
50	8	21	30	70	36	10	26	M6	3	0.6	23.306.50.08.Z	30337776
50	10	24	33	75	41	10	31	M8x1	3	0.6	23.306.50.10.Z	30337777
50	12	24	34	80	47	10	37	M10x1	5	0.7	23.306.50.12.Z	30337778
50	14	27	37	80	47	10	37	M10x1	5	0.7	23.306.50.14.Z	30337779
50	16	27	38.5	85	50	10	40	M12x1	5	0.7	23.306.50.16.Z	30337780
50	18	33	44.5	85	50	10	40	M12x1	5	0.8	23.306.50.18.Z	30337781
50	20	33	45	90	52	10	42	M16x1	5	0.8	23.306.50.20.Z	30337782

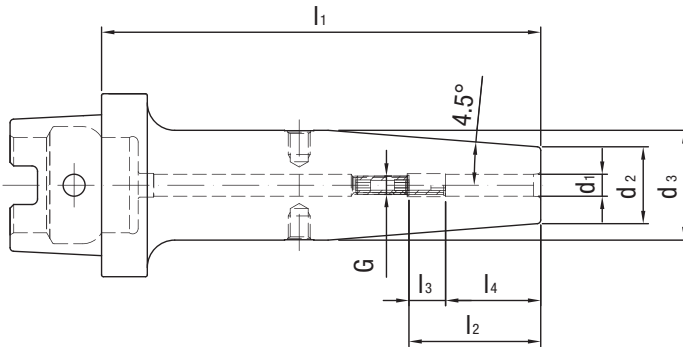
Dimensions in mm.

Shrink extensions, spare parts and accessories at the end of this chapter.

Custom designs available on request.

# Shrink Chuck DIN 69893-C

Long design



Nominal size HSK-C	Dimensions							G	sw	Weight [kg]	Order designation	Order No.
	d <sub>1</sub>	d <sub>2</sub>	d <sub>3</sub>	l <sub>1</sub>	l <sub>2</sub>	l <sub>3</sub>	l <sub>4</sub>					
50	3	10	20	120	-	-	12	-	-	0.5	23.306.50.03.Z/120	30385103
50	3	10	20	160	-	-	12	-	-	0.5	23.306.50.03.Z/160	30385130
50	4	15	22	120	-	-	16	-	-	0.5	23.306.50.04.Z/120	30385105
50	4	15	22	160	-	-	16	-	-	0.5	23.306.50.04.Z/160	30385132
50	5	15	22	120	-	-	20	-	-	0.5	23.306.50.05.Z/120	30385106
50	5	15	22	160	-	-	20	-	-	0.5	23.306.50.05.Z/160	30385138
50	6	21	30	120	36	10	26	M5	2.5	0.7	23.306.50.06.Z/120	30337774
50	6	21	30	160	36	10	26	M5	2.5	0.8	23.306.50.06.Z/160	30337775
50	8	21	30	120	36	10	26	M6	3	0.7	23.306.50.08.Z/120	30385108
50	8	21	30	160	36	10	26	M6	3	0.8	23.306.50.08.Z/160	30385140
50	10	24	33	120	41	10	31	M8x1	3	0.7	23.306.50.10.Z/120	30385110
50	10	24	33	160	41	10	31	M8x1	3	0.8	23.306.50.10.Z/160	30385141
50	12	24	34	120	47	10	37	M10x1	5	0.8	23.306.50.12.Z/120	30385112
50	12	24	34	160	47	10	37	M10x1	5	0.9	23.306.50.12.Z/160	30385142
50	14	27	37	120	47	10	37	M10x1	5	0.8	23.306.50.14.Z/120	30385113
50	14	27	37	160	47	10	37	M10x1	5	0.9	23.306.50.14.Z/160	30385254
50	16	27	38.5	120	50	10	40	M12x1	5	0.8	23.306.50.16.Z/120	30385120
50	16	27	38.5	160	50	10	40	M12x1	5	0.9	23.306.50.16.Z/160	30385255
50	18	33	44.5	120	50	10	40	M12x1	5	0.9	23.306.50.18.Z/120	30385124
50	18	33	44.5	160	50	10	40	M12x1	5	1	23.306.50.18.Z/100	30385257
50	20	33	45	120	52	10	42	M16x1	5	0.9	23.306.50.20.Z/120	30385126
50	20	33	45	160	52	10	42	M16x1	5	1	23.306.50.20.Z/160	30385258

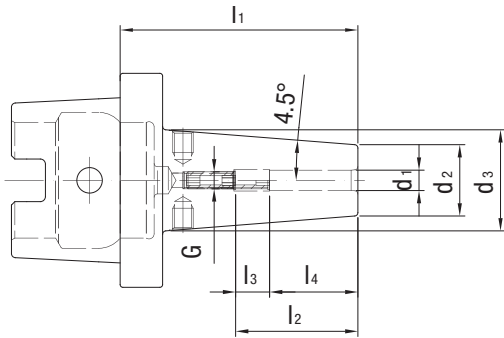
Dimensions in mm.

Shrink extensions, spare parts and accessories at the end of this chapter.

Custom designs available on request.



# Shrink Chuck DIN 69893-C



Nominal size HSK-C	Dimensions							G	sw	Weight [kg]	Order designation	Order No.
	$d_1$	$d_2$	$d_3$	$l_1$	$l_2$	$l_3$	$l_4$					
63	3	10	15	70	28	16	12	M6	2	0.6	23.306.63.03.Z	30385259
63	4	15	22	70	28	12	16	M6	2	0.6	23.306.63.04.Z	30337783
63	5	15	22	70	30	10	20	M6	2	0.6	23.306.63.05.Z	30385260
63	6	21	30	70	36	10	26	M5	2.5	0.7	23.306.63.06.Z	30337784
63	8	21	30	70	36	10	26	M6	3	0.7	23.306.63.08.Z	30337786
63	10	24	34	75	41	10	31	M8x1	3	0.8	23.306.63.10.Z	30337788
63	12	24	34	80	47	10	37	M10x1	5	0.8	23.306.63.12.Z	30337791
63	14	27	36	80	47	10	37	M10x1	5	0.8	23.306.63.14.Z	30337792
63	16	27	36	85	50	10	40	M12x1	5	0.8	23.306.63.16.Z	30337793
63	18	33	44	85	50	10	40	M12x1	5	1	23.306.63.18.Z	30337795
63	20	33	45	90	52	10	42	M16x1	5	1	23.306.63.20.Z	30337797
63	25	44	53	100	58	10	48	M16x1	5	1.4	23.306.63.25.Z	30337798
63	32	44	53	110	62	10	52	M16x1	5	1.5	23.306.63.32.Z	30337799

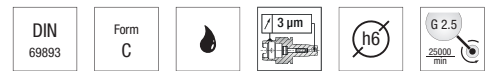
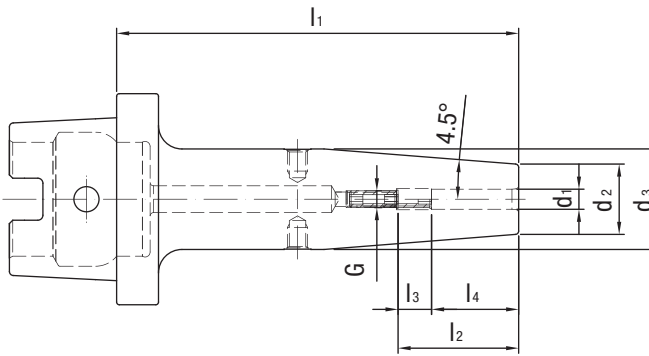
Dimensions in mm.

Shrink extensions, spare parts and accessories at the end of this chapter.

Custom designs available on request.

# Shrink Chuck DIN 69893-C

Long design



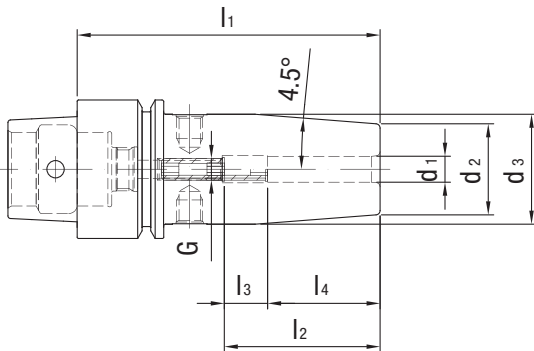
Nominal size HSK-C	Dimensions							G	sw	Weight [kg]	Order designation	Order No.
	d <sub>1</sub>	d <sub>2</sub>	d <sub>3</sub>	l <sub>1</sub>	l <sub>2</sub>	l <sub>3</sub>	l <sub>4</sub>					
63	3	10	20	120	-	-	12	-	-	0.7	23.306.63.03.Z/120	30385261
63	3	10	20	160	-	-	12	-	-	0.8	23.306.63.03.Z/160	30386160
63	4	15	22	120	-	-	16	-	-	0.7	23.306.63.04.Z/120	30385262
63	4	15	22	160	-	-	16	-	-	0.8	23.306.63.04.Z/160	30386161
63	5	15	22	120	-	-	20	-	-	0.7	23.306.63.05.Z/120	30385263
63	5	15	22	160	-	-	20	-	-	0.8	23.306.63.05.Z/160	30386164
63	6	21	30	120	36	10	26	M5	2.5	0.8	23.306.63.06.Z/120	30337785
63	6	21	30	160	36	10	26	M5	2.5	0.9	23.306.63.06.Z/160	30386167
63	8	21	30	120	36	10	26	M6	3	0.8	23.306.63.08.Z/120	30337787
63	8	21	27	160	36	10	26	M6	3	0.9	23.306.63.08.Z/160	30386168
63	10	24	34	120	41	10	31	M8x1	3	0.9	23.306.63.10.Z/120	30337789
63	10	24	34	160	41	10	31	M8x1	3	1	23.306.63.10.Z/160	30337790
63	12	24	34	120	47	10	37	M10x1	5	0.9	23.306.63.12.Z/120	30385264
63	12	24	34	160	47	10	37	M10x1	5	1	23.306.63.12.Z/160	30386169
63	14	27	36	120	47	10	37	M10x1	5	0.9	23.306.63.14.Z/120	30385265
63	14	27	36	160	47	10	37	M10x1	5	1	23.306.63.14.Z/160	30386172
63	16	27	36	120	50	10	40	M12x1	5	0.9	23.306.63.16.Z/120	30337794
63	16	27	36	160	50	10	40	M12x1	5	1	23.306.63.16.Z/160	30386173
63	18	33	44	120	50	10	40	M12x1	5	1.1	23.306.63.18.Z/120	30337796
63	18	33	44	160	50	10	40	M12x1	5	1.2	23.306.63.18.Z.160	30386176
63	20	33	45	120	52	10	42	M16x1	5	1.1	23.306.63.20.Z/120	30385266
63	20	33	45	160	52	10	42	M16x1	5	1.2	23.306.63.20.Z/160	30386178
63	25	44	53	120	58	10	48	M16x1	5	1.5	23.306.63.25.Z/120	30385267
63	25	44	53	160	58	10	48	M16x1	5	1.7	23.306.63.25.Z/160	30386180
63	32	44	53	160	62	10	52	M16x1	5	1.7	23.306.63.32.Z/160	30386183

Dimensions in mm.

Shrink extensions, spare parts and accessories at the end of this chapter.

Custom designs available on request.

# Shrink Chuck DIN 69893-E



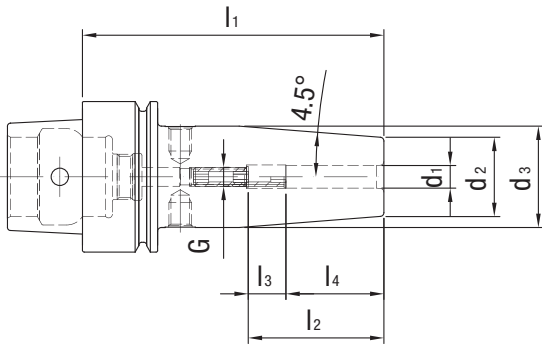
Nominal size HSK-E	Dimensions							G	sw	Weight [kg]	Order designation	Order No.
	$d_1$	$d_2$	$d_3$	$l_1$	$l_2$	$l_3$	$l_4$					
32	3	10	15	60	28	16	12	M5	2	0.2	18.306.32.03.Z	30337540
32	4	10	15	60	28	12	16	M5	2	0.2	18.306.32.04.Z	30337541
32	5	10	15	60	30	10	20	M6	2	0.2	18.306.32.05.Z	30337542
32	6	21	25	70	36	10	26	M5	2.5	0.3	18.306.32.06.Z	30337543
32	8	21	25	70	36	10	26	M6	3	0.3	18.306.32.08.Z	30337544
32	10	24	29	75	41	10	31	M8x1	3	0.4	18.306.32.10.Z	30337545
32	12	24	29	80	47	10	37	M10x1	5	0.4	18.306.32.12.Z	30337546

Dimensions in mm.

Shrink extensions, spare parts and accessories at the end of this chapter.

Custom designs available on request.

# Shrink Chuck DIN 69893-E



Nominal size HSK-E	Dimensions							G	sw	Weight [kg]	Order designation	Order No.
	d <sub>1</sub>	d <sub>2</sub>	d <sub>3</sub>	l <sub>1</sub>	l <sub>2</sub>	l <sub>3</sub>	l <sub>4</sub>					
40	3	10	15	60	28	16	12	M6	2	0.3	18.306.40.03.Z	30337547
40	4	10	15	60	28	12	16	M6	2	0.3	18.306.40.04.Z	30337550
40	5	10	15	60	30	10	20	M6	2	0.3	18.306.40.05.Z	30337553
40	6	21	27	80	36	10	26	M5	2.5	0.4	18.306.40.06.Z	30337556
40	8	21	27	80	36	10	26	M6	3	0.4	18.306.40.08.Z	30337559
40	10	24	32	80	41	10	31	M8x1	3	0.5	18.306.40.10.Z	30337562
40	12	24	32	90	47	10	37	M10x1	5	0.5	18.306.40.12.Z	30337565
40	14	27	33.5	90	47	10	37	M10x1	5	0.6	18.306.40.14.Z	30337568
40	16	27	33.5	90	50	10	40	M12x1	5	0.5	18.306.40.16.Z	30337571

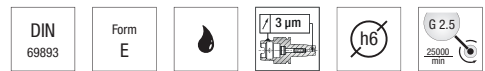
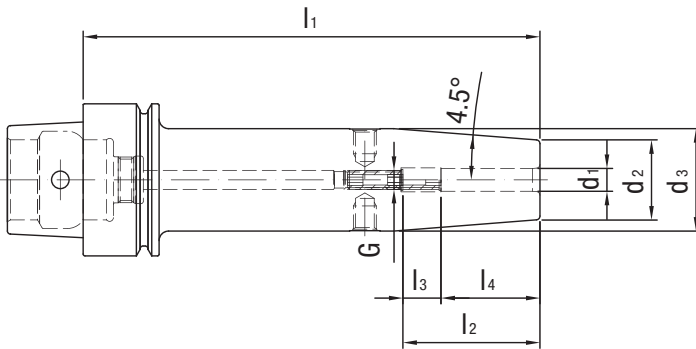
Dimensions in mm.

Shrink extensions, spare parts and accessories at the end of this chapter.

Custom designs available on request.

# Shrink Chuck DIN 69893-E

Long design



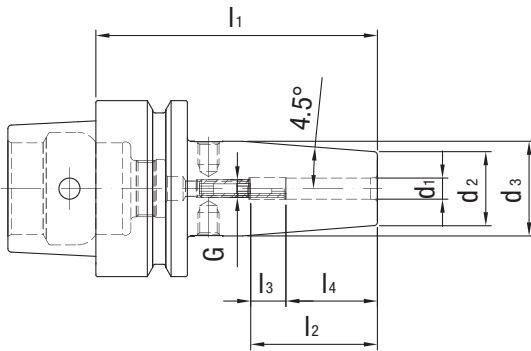
Nominal size HSK-E	Dimensions							G	sw	Weight [kg]	Order designation	Order No.
	$d_1$	$d_2$	$d_3$	$l_1$	$l_2$	$l_3$	$l_4$					
40	3	10	20	120	-	-	12	-	-	0.4	18.306.40.03.Z/120	30337548
40	3	10	20	160	-	-	12	-	-	0.5	18.306.40.03.Z/160	30337549
40	4	15	22	120	-	-	16	-	-	0.4	18.306.40.04.Z/120	30337551
40	4	15	22	160	-	-	16	-	-	0.5	18.306.40.04.Z/160	30337552
40	5	15	22	120	-	-	20	-	-	0.4	18.306.40.05.Z/120	30337554
40	5	15	22	160	-	-	20	-	-	0.5	18.306.40.05.Z/160	30337555
40	6	21	27	120	36	10	26	M5	2.5	0.6	18.306.40.06.Z/120	30337557
40	6	21	27	160	36	10	26	M5	2.5	0.7	18.306.40.06.Z/160	30337558
40	8	21	27	120	36	10	26	M6	3	0.6	18.306.40.08.Z/120	30337560
40	8	21	27	160	36	10	26	M6	3	0.7	18.306.40.08.Z/160	30337561
40	10	24	32	120	41	10	31	M8x1	3	0.7	18.306.40.10.Z/120	30337563
40	10	24	32	160	41	10	31	M8x1	3	0.8	18.306.40.10.Z/160	30337564
40	12	24	32	120	47	10	37	M10x1	5	0.7	18.306.40.12.Z/120	30337566
40	12	24	32	160	47	10	37	M10x1	5	0.8	18.306.40.12.Z/160	30337567
40	14	27	33.5	120	47	10	37	M10x1	5	0.8	18.306.40.14.Z/120	30337569
40	14	27	33.5	160	47	10	37	M10x1	5	0.9	18.306.40.14.Z/160	30337570
40	16	27	33.5	120	50	10	40	M12x1	5	0.7	18.306.40.16.Z/120	30337572
40	16	27	33.5	160	50	10	40	M12x1	5	0.8	18.306.40.16.Z/160	30337573

Dimensions in mm.

Shrink extensions, spare parts and accessories at the end of this chapter.

Custom designs available on request.

# Shrink Chuck DIN 69893-E



Nominal size HSK-E	Dimensions							G	sw	Weight [kg]	Order designation	Order No.
	$d_1$	$d_2$	$d_3$	$l_1$	$l_2$	$l_3$	$l_4$					
50	3	10	15	80	28	16	12	M6	2	0.4	18.306.50.03.Z	30337574
50	4	15	22	80	28	12	16	M6	2	0.5	18.306.50.04.Z	30337577
50	5	15	22	80	30	10	20	M6	2	0.5	18.306.50.05.Z	30337580
50	6	21	27	80	36	10	26	M5	2.5	0.7	18.306.50.06.Z	30337583
50	8	21	27	80	36	10	26	M6	3	0.6	18.306.50.08.Z	30337586
50	10	24	32	85	41	10	31	M8x1	3	0.7	18.306.50.10.Z	30337589
50	12	24	32	90	47	10	37	M10x1	5	0.7	18.306.50.12.Z	30337592
50	14	27	34	90	47	10	37	M10x1	5	0.7	18.306.50.14.Z	30337595
50	16	27	34	95	50	10	40	M12x1	5	0.7	18.306.50.16.Z	30337598
50	18	33	42	95	50	10	40	M12x1	5	0.9	18.306.50.18.Z	30337601
50	20	33	42	100	52	10	42	M16x1	5	0.9	18.306.50.20.Z	30337604

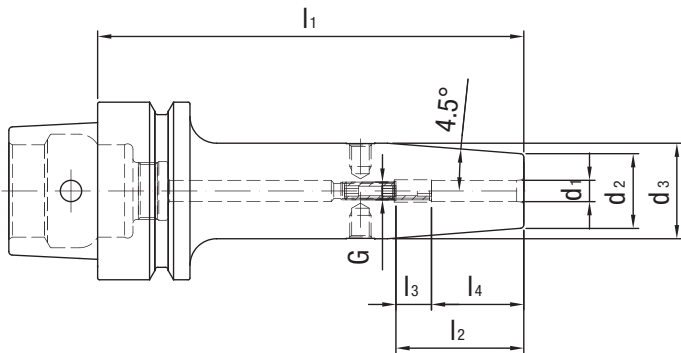
Dimensions in mm.

Shrink extensions, spare parts and accessories at the end of this chapter.

Custom designs available on request.

# Shrink Chuck DIN 69893-E

Long design



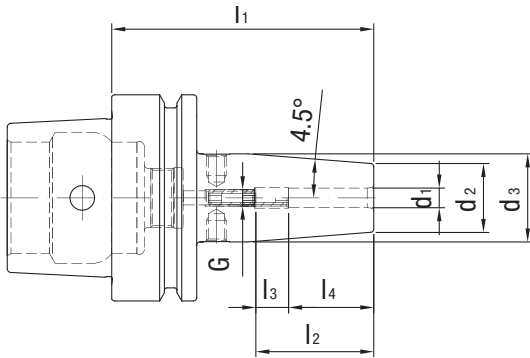
Nominal size HSK-E	Dimensions							G	sw	Weight [kg]	Order designation	Order No.
	d <sub>1</sub>	d <sub>2</sub>	d <sub>3</sub>	l <sub>1</sub>	l <sub>2</sub>	l <sub>3</sub>	l <sub>4</sub>					
50	3	10	20	120	-	-	12	-	-	0.5	18.306.50.03.Z/120	30337575
50	3	10	20	160	-	-	12	-	-	0.6	18.306.50.03.Z/160	30337576
50	4	15	22	120	-	-	16	-	-	0.6	18.306.50.04.Z/120	30337578
50	4	15	22	160	-	-	16	-	-	0.7	18.306.50.04.Z/160	30337579
50	5	15	22	120	-	-	20	-	-	0.6	18.306.50.05.Z/120	30337581
50	5	15	22	160	-	-	20	-	-	0.7	18.306.50.05.Z/160	30337582
50	6	21	27	120	36	10	26	M5	2.5	0.8	18.306.50.06.Z/120	30337584
50	6	21	27	160	36	10	26	M5	2.5	0.9	18.306.50.06.Z/160	30337585
50	8	21	27	120	36	10	26	M6	3	0.8	18.306.50.08.Z/120	30337587
50	8	21	27	160	36	10	26	M6	3	0.9	18.306.50.08.Z/160	30337588
50	10	24	32	120	41	10	31	M8x1	3	0.8	18.306.50.10.Z/120	30337590
50	10	24	32	160	41	10	31	M8x1	3	0.9	18.306.50.10.Z/160	30337591
50	12	24	32	120	47	10	37	M10x1	5	0.8	18.306.50.12.Z/120	30337593
50	12	24	32	160	47	10	37	M10x1	5	0.9	18.306.50.12.Z/160	30337594
50	14	27	34	120	47	10	37	M10x1	5	0.8	18.306.50.14.Z/120	30337596
50	14	27	34	160	47	10	37	M10x1	5	0.9	18.306.50.14.Z/160	30337597
50	16	27	34	120	50	10	40	M12x1	5	0.8	18.306.50.16.Z/120	30337599
50	16	27	34	160	50	10	40	M12x1	5	0.9	18.306.50.16.Z/160	30337600
50	18	33	42	120	50	10	40	M12x1	5	1	18.306.50.18.Z/120	30337602
50	18	33	42	160	50	10	40	M12x1	5	1.1	18.306.50.18.Z.160	30337603
50	20	33	42	120	52	10	42	M16x1	5	1	18.306.50.20.Z/120	30337605
50	20	33	42	160	52	10	42	M16x1	5	1.1	18.306.50.20.Z/160	30337606

Dimensions in mm.

Shrink extensions, spare parts and accessories at the end of this chapter.

Custom designs available on request.

# Shrink Chuck DIN 69893-E



Nominal size HSK-E	Dimensions							G	sw	Weight [kg]	Order designation	Order No.
	d <sub>1</sub>	d <sub>2</sub>	d <sub>3</sub>	l <sub>1</sub>	l <sub>2</sub>	l <sub>3</sub>	l <sub>4</sub>					
63	3	10	15	80	28	16	12	M6	2	0.7	18.306.63.03.Z	30337607
63	4	15	22	80	28	12	16	M6	2	0.7	18.306.63.04.Z	30337610
63	5	15	22	80	30	10	20	M6	2	0.7	18.306.63.05.Z	30337613
63	6	21	27	80	36	10	26	M5	2.5	0.8	18.306.63.06.Z	30337616
63	8	21	27	80	36	10	26	M6	3	0.8	18.306.63.08.Z	30337619
63	10	24	32	85	41	10	31	M8x1	3	0.9	18.306.63.10.Z	30337622
63	12	24	32	90	47	10	37	M10x1	5	0.9	18.306.63.12.Z	30337625
63	14	27	34	90	47	10	37	M10x1	5	1	18.306.63.14.Z	30337628
63	16	27	34	95	50	10	40	M12x1	5	1	18.306.63.16.Z	30337631
63	18	33	42	95	50	10	40	M12x1	5	1.1	18.306.63.18.Z	30337634
63	20	33	42	100	52	10	42	M16x1	5	1.1	18.306.63.20.Z	30337637
63	25	44	53	115	58	10	48	M16x1	5	1.6	18.306.63.25.Z	30337640
63	32	44	53	120	62	10	52	M16x1	5	1.6	18.306.63.32.Z	30337643

Dimensions in mm.

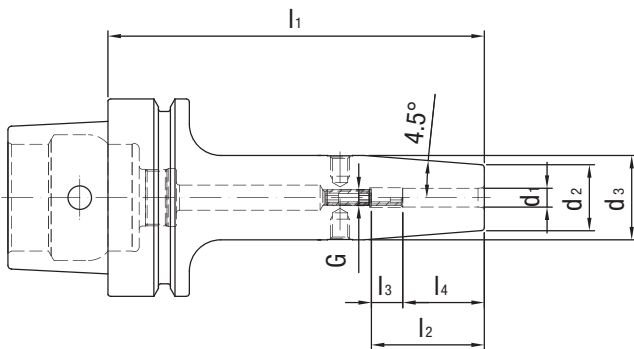
Shrink extensions, spare parts and accessories at the end of this chapter.

Custom designs available on request.



# Shrink Chuck DIN 69893-E

Long design



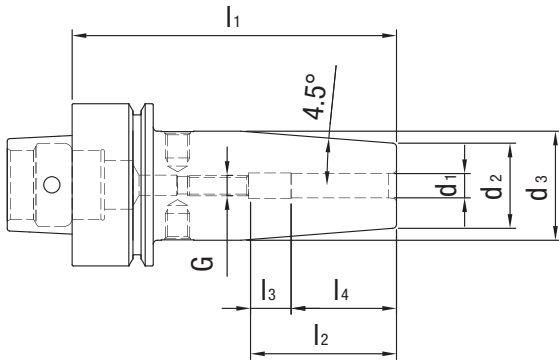
Nominal size HSK-E	Dimensions							G	sw	Weight [kg]	Order designation	Order No.
	d <sub>1</sub>	d <sub>2</sub>	d <sub>3</sub>	l <sub>1</sub>	l <sub>2</sub>	l <sub>3</sub>	l <sub>4</sub>					
63	3	10	20	120	-	-	12	-	-	0.8	18.306.63.03.Z/120	30337608
63	3	10	20	160	-	-	12	-	-	0.9	18.306.63.03.Z/160	30337609
63	4	15	22	120	-	-	16	-	-	0.8	18.306.63.04.Z/120	30337611
63	4	15	22	160	-	-	16	-	-	0.9	18.306.63.04.Z/160	30337612
63	5	15	22	120	-	-	20	-	-	0.8	18.306.63.05.Z/120	30337614
63	5	15	22	160	-	-	20	-	-	0.9	18.306.63.05.Z/160	30337615
63	6	21	27	120	36	10	26	M5	2.5	0.9	18.306.63.06.Z/120	30337617
63	6	21	27	160	36	10	26	M5	2.5	1	18.306.63.06.Z/160	30337618
63	8	21	27	120	36	10	26	M6	3	0.9	18.306.63.08.Z/120	30337620
63	8	21	27	160	36	10	26	M6	3	1	18.306.63.08.Z/160	30337621
63	10	24	32	120	41	10	31	M8x1	3	1	18.306.63.10.Z/120	30337623
63	10	24	32	160	41	10	31	M8x1	3	1.1	18.306.63.10.Z/160	30337624
63	12	24	32	120	47	10	37	M10x1	5	1	18.306.63.12.Z/120	30337626
63	12	24	32	160	47	10	37	M10x1	5	1.1	18.306.63.12.Z/160	30337627
63	14	27	34	120	47	10	37	M10x1	5	1.1	18.306.63.14.Z/120	30337629
63	14	27	34	160	47	10	37	M10x1	5	1.2	18.306.63.14.Z/160	30337630
63	16	27	34	120	50	10	40	M12x1	5	1.2	18.306.63.16.Z/120	30337632
63	16	27	34	160	50	10	40	M12x1	5	1.4	18.306.63.16.Z/160	30337633
63	18	33	42	120	50	10	40	M12x1	5	1.3	18.306.63.18.Z/120	30337635
63	18	33	42	160	50	10	40	M12x1	5	1.5	18.306.63.18.Z/160	30337636
63	20	33	42	120	52	10	42	M16x1	5	1.3	18.306.63.20.Z/120	30337638
63	20	33	42	160	52	10	42	M16x1	5	1.5	18.306.63.20.Z/160	30337639
63	25	44	53	120	58	10	48	M16x1	5	1.6	18.306.63.25.Z/120	30337641
63	25	44	53	160	58	10	48	M16x1	5	1.8	18.306.63.25.Z/160	30337642
63	32	44	53	160	62	10	52	M16x1	5	1.7	18.306.63.32.Z/160	30337644

Dimensions in mm.

Shrink extensions, spare parts and accessories at the end of this chapter.

Custom designs available on request.

# Shrink Chuck DIN 69893-F



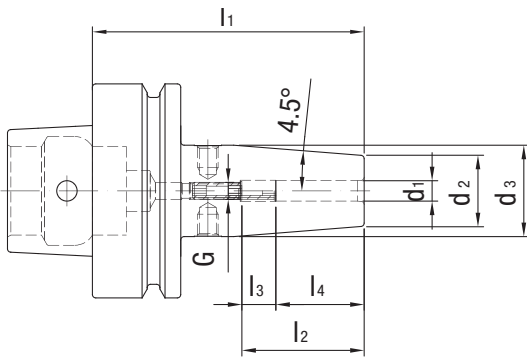
Nominal size HSK-F	Dimensions							G	sw	Weight [kg]	Order designation	Order No.
	d <sub>1</sub>	d <sub>2</sub>	d <sub>3</sub>	l <sub>1</sub>	l <sub>2</sub>	l <sub>3</sub>	l <sub>4</sub>					
40	3	10	15	60	28	16	12	M6	2	0.6	17.306.40.03	30337483
40	4	10	15	60	28	12	16	M6	2	0.7	17.306.40.04	30337484
40	5	10	15	60	30	10	20	M6	2	0.7	17.306.40.05	30337485
40	6	21	27	80	36	10	26	M5	2.5	0.8	17.306.40.06	30337486
40	8	21	27	80	36	10	26	M6	3	0.8	17.306.40.08	30337487
40	10	24	32	80	41	10	31	M8x1	3	0.9	17.306.40.10	30337488
40	12	24	32	90	47	10	37	M10x1	5	0.9	17.306.40.12	30337489

Dimensions in mm.

Shrink extensions, spare parts and accessories at the end of this chapter.

Custom designs available on request.

# Shrink Chuck DIN 69893-F



Nominal size HSK-F	Dimensions							G	sw	Weight [kg]	Order designation	Order No.
	$d_1$	$d_2$	$d_3$	$l_1$	$l_2$	$l_3$	$l_4$					
63	3	10	15	80	28	16	12	M6	2	0.6	17.306.63.03	30337490
63	4	15	22	80	28	12	16	M6	2	0.7	17.306.63.04	30337493
63	5	15	22	80	30	10	20	M6	2	0.7	17.306.63.05	30337496
63	6	21	27	80	36	10	26	M5	2.5	0.8	17.306.63.06	30337499
63	8	21	27	80	36	10	26	M6	3	0.8	17.306.63.08	30337502
63	10	24	32	85	41	10	31	M8x1	3	0.9	17.306.63.10	30337505
63	12	24	32	90	47	10	37	M10x1	5	0.9	17.306.63.12	30337508
63	14	27	34	90	47	10	37	M10x1	5	0.9	17.306.63.14	30337511
63	16	27	34	95	50	10	40	M12x1	5	1	17.306.63.16	30337514
63	18	33	42	95	50	10	40	M12x1	5	1.1	17.306.63.18	30337517
63	20	33	42	100	52	10	42	M16x1	5	1.1	17.306.63.20	30337520
63	25	44	53	115	58	10	48	M16x1	5	1.6	17.306.63.25	30337523
63	32	44	53	120	62	10	52	M16x1	5	1.6	17.306.63.32	30337526

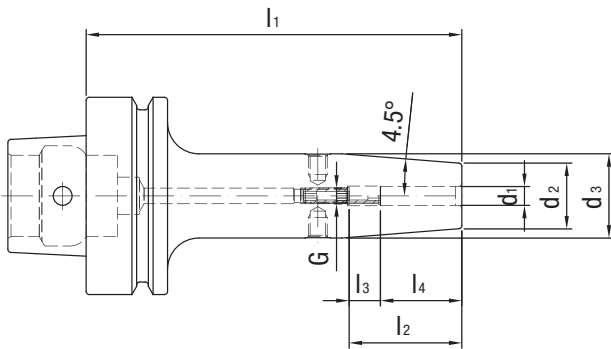
Dimensions in mm.

Shrink extensions, spare parts and accessories at the end of this chapter.

Custom designs available on request.

# Shrink Chuck DIN 69893-F

Long design



Nominal size HSK-F	Dimensions							G	sw	Weight [kg]	Order designation	Order No.
	d <sub>1</sub>	d <sub>2</sub>	d <sub>3</sub>	l <sub>1</sub>	l <sub>2</sub>	l <sub>3</sub>	l <sub>4</sub>					
63	3	10	20	120	-	-	12	-	-	0.7	17.306.63.03/120	30337491
63	3	10	20	160	-	-	12	-	-	0.8	17.306.63.03/160	30337492
63	4	15	22	120	-	-	16	-	-	0.8	17.306.63.04/120	30337494
63	4	15	22	160	-	-	16	-	-	0.8	17.306.63.04/160	30337495
63	5	15	22	120	-	-	20	-	-	0.8	17.306.63.05/120	30337497
63	5	15	22	160	-	-	20	-	-	0.8	17.306.63.05/160	30337498
63	6	21	27	120	36	10	26	M5	2.5	1	17.306.63.06/120	30337500
63	6	21	27	160	36	10	26	M5	2.5	1.1	17.306.63.06/160	30337501
63	8	21	27	120	36	10	26	M6	3	1	17.306.63.08/120	30337503
63	8	21	27	160	36	10	26	M6	3	1.1	17.306.63.08/160	30337504
63	10	24	32	120	41	10	31	M8x1	3	1.1	17.306.63.10/120	30337506
63	10	24	32	160	41	10	31	M8x1	3	1.3	17.306.63.10/160	30337507
63	12	24	32	120	47	10	37	M10x1	5	1.1	17.306.63.12/120	30337509
63	12	24	32	160	47	10	37	M10x1	5	1.3	17.306.63.12/160	30337510
63	14	27	34	120	47	10	37	M10x1	5	1.1	17.306.63.14/120	30337512
63	14	27	34	160	47	10	37	M10x1	5	1.3	17.306.63.14/160	30337513
63	16	27	34	120	50	10	40	M12x1	5	1.1	17.306.63.16/120	30337515
63	16	27	34	160	50	10	40	M12x1	5	1.4	17.306.63.16/160	30337516
63	18	33	42	120	50	10	40	M12x1	5	1.3	17.306.63.18/120	30337518
63	18	33	42	160	50	10	40	M12x1	5	1.6	17.306.63.18/160	30337519
63	20	33	42	120	52	10	42	M16x1	5	1.3	17.306.63.20/120	30337521
63	20	33	42	160	52	10	42	M16x1	5	1.6	17.306.63.20/160	30337522
63	25	44	53	120	58	10	48	M16x1	5	1.7	17.306.63.25/120	30337524
63	25	44	53	160	58	10	48	M16x1	5	2	17.306.63.25/160	30337525

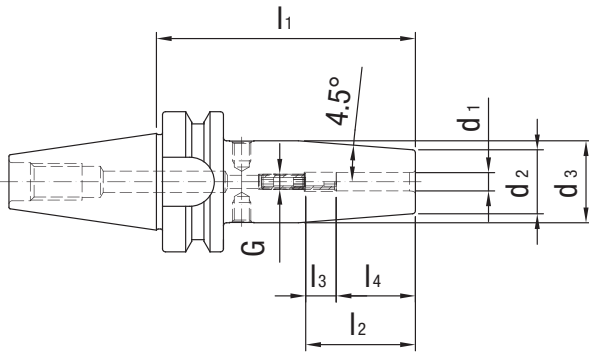
Dimensions in mm.

Shrink extensions, spare parts and accessories at the end of this chapter.

Custom designs available on request.

# Shrink Chuck ISO 7388-2 (JIS B6339)

Coolant supply as per ISO 7388-2, Form JD



Nominal size BT	Dimensions							G	sw	Weight [kg]	Order designation	Order No.
	d <sub>1</sub>	d <sub>2</sub>	d <sub>3</sub>	l <sub>1</sub>	l <sub>2</sub>	l <sub>3</sub>	l <sub>4</sub>					
30	3	10	17	85	28	16	12	M6	2	0.7	22.306.30.03.Z	30337666
30	4	15	22	85	28	12	16	M6	2	0.7	22.306.30.04.Z	30337667
30	5	15	22	85	30	10	20	M6	2	0.7	22.306.30.05.Z	30337668
30	6	21	27	85	36	10	26	M5	2.5	0.8	22.306.30.06.Z	30337669
30	8	21	27	85	36	10	26	M6	3	0.8	22.306.30.08.Z	30337670
30	10	24	32	85	41	10	31	M8x1	3	0.8	22.306.30.10.Z	30337671
30	12	24	32	85	47	10	37	M10x1	5	0.9	22.306.30.12.Z	30337672
30	14	27	34	85	47	10	37	M10x1	5	0.9	22.306.30.14.Z	30337673
30	16	27	34	85	50	10	40	M12x1	5	0.9	22.306.30.16.Z	30337674
30	18	33	42	85	50	10	40	M12x1	5	1	22.306.30.18.Z	30337675
30	20	33	42	85	52	10	42	M16x1	5	1	22.306.30.20.Z	30337676

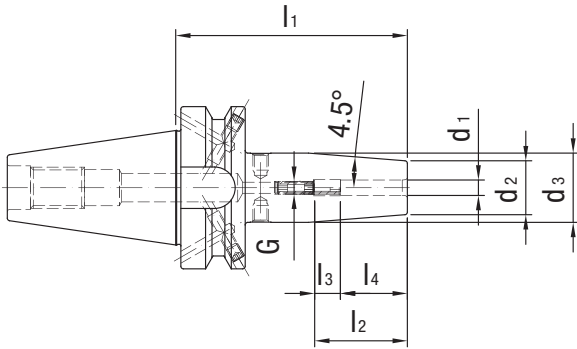
Dimensions in mm.

Shrink extensions, spare parts and accessories at the end of this chapter.

Custom designs and version with face connection on request.

# Shrink Chuck ISO 7388-2 (JIS B6339)

Coolant supply as per ISO 7388-2, Form JD/JF



Nominal size BT	Dimensions							G	sw	Weight [kg]	Order designation	Order No.
	$d_1$	$d_2$	$d_3$	$l_1$	$l_2$	$l_3$	$l_4$					
40	3	10	17	90	28	16	12	M6	2	1	22.306.40.03.Z	30337677
40	4	15	22	90	28	12	16	M6	2	1.1	22.306.40.04.Z	30337680
40	5	15	22	90	30	10	20	M6	2	1.1	22.306.40.05.Z	30337683
40	6	21	27	90	36	10	26	M5	2.5	1.1	22.306.40.06.Z	30337686
40	7	21	27	90	36	10	26	M5	2.5	1.1	22.306.40.07.Z	30337689
40	8	21	27	90	36	10	26	M6	3	1.1	22.306.40.08.Z	30337690
40	9	21	27	90	36	10	26	M6	3	1.1	22.306.40.09.Z	30337693
40	10	24	32	90	41	10	31	M8x1	3	1.2	22.306.40.10.Z	30337694
40	11	24	32	90	41	10	31	M8x1	3	1.2	22.306.40.11.Z	30337698
40	12	24	32	90	47	10	37	M10x1	5	1.2	22.306.40.12.Z	30337699
40	13	24	32	90	47	10	37	M10x1	5	1.2	22.306.40.13.Z	30337702
40	14	27	34	90	47	10	37	M10x1	5	1.2	22.306.40.14.Z	30337703
40	15	27	34	90	47	10	37	M10x1	5	1.2	22.306.40.15.Z	30337705
40	16	27	34	90	50	10	40	M12x1	5	1.2	22.306.40.16.Z	30337706
40	18	33	42	90	50	10	40	M12x1	5	1.3	22.306.40.18.Z	30337709
40	20	33	42	90	52	10	42	M16x1	8	1.3	22.306.40.20.Z	30337712
40	25	44	53	100	58	10	48	M16x1	8	1.7	22.306.40.25.Z	30337715
40	32	44	53	100	62	10	52	M16x1	8	1.5	22.306.40.32.Z	30337718

Dimensions in mm.

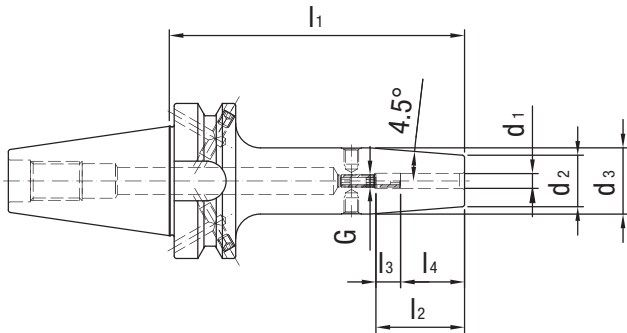
Basic form JD. Please indicate form JF (prev. B) in your order.

Shrink extensions, spare parts and accessories at the end of this chapter.

Custom designs and version with face connection on request.

# Shrink Chuck ISO 7388-2 (JIS B6339)

Long design, coolant supply as per ISO 7388-2, Form JD/JF



Nominal size BT	Dimensions							G	sw	Weight [kg]	Order designation	Order No.
	d <sub>1</sub>	d <sub>2</sub>	d <sub>3</sub>	l <sub>1</sub>	l <sub>2</sub>	l <sub>3</sub>	l <sub>4</sub>					
40	3	10	20	120	-	-	12	-	-	1.2	22.306.40.03.Z/120	30337678
40	3	10	20	160	-	-	12	-	-	1.4	22.306.40.03.Z/160	30337679
40	4	15	22	120	-	-	16	-	-	1.3	22.306.40.04.Z/120	30337681
40	4	15	22	160	-	-	16	-	-	1.5	22.306.40.04.Z/160	30337682
40	5	15	22	120	-	-	20	-	-	1.3	22.306.40.05.Z/120	30337684
40	5	15	22	160	-	-	20	-	-	1.5	22.306.40.05.Z/160	30337685
40	6	21	27	120	36	10	26	M5	2.5	1.3	22.306.40.06.Z/120	30337687
40	6	21	27	160	36	10	26	M5	2.5	1.5	22.306.40.06.Z/160	30337688
40	8	21	27	120	36	10	26	M6	3	1.3	22.306.40.08.Z/120	30337691
40	8	21	27	160	36	10	26	M6	3	1.5	22.306.40.08.Z/160	30337692
40	10	24	32	120	41	10	31	M8x1	3	1.4	22.306.40.10.Z/120	30337695
40	10	24	32	160	41	10	31	M8x1	3	1.6	22.306.40.10.Z/160	30337696
40	12	24	32	120	47	10	37	M10x1	5	1.4	22.306.40.12.Z/120	30337700
40	12	24	32	160	47	10	37	M10x1	5	1.6	22.306.40.12.Z/160	30337701
40	14	27	34	120	47	10	37	M10x1	5	1.4	22.306.40.14.Z/120	30337704
40	14	27	34	160	47	10	37	M10x1	5	1.6	22.306.40.14.Z/160	30342696
40	16	27	34	120	50	10	40	M12x1	5	1.4	22.306.40.16.Z/120	30337707
40	16	27	34	160	50	10	40	M12x1	5	1.6	22.306.40.16.Z/160	30337708
40	18	33	42	120	50	10	40	M12x1	5	1.6	22.306.40.18.Z/120	30337710
40	18	33	42	160	50	10	40	M12x1	5	1.9	22.306.40.18.Z.160	30337711
40	20	33	42	120	52	10	42	M16x1	8	1.6	22.306.40.20.Z/120	30337713
40	20	33	42	160	52	10	42	M16x1	8	1.9	22.306.40.20.Z/160	30337714
40	25	44	53	120	58	10	48	M16x1	8	2	22.306.40.25.Z/120	30337716
40	25	44	53	160	58	10	48	M16x1	8	2.3	22.306.40.25.Z/160	30337717
40	32	44	53	120	62	10	52	M16x1	8	1.8	22.306.40.32.Z/120	30337719
40	32	44	53	160	62	10	52	M16x1	8	2	22.306.40.32.Z/160	30337720

Dimensions in mm.

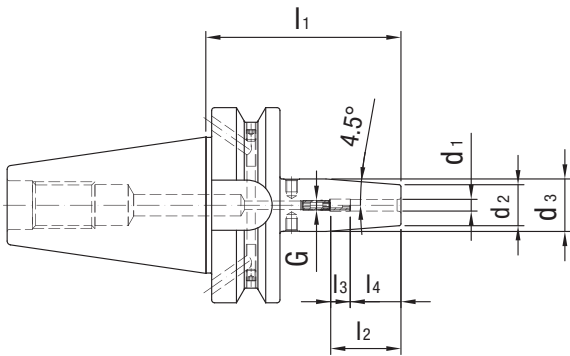
Basic form JD. Please indicate form JF (prev. B) in your order.

Shrink extensions, spare parts and accessories at the end of this chapter.

Custom designs and version with face connection on request.

# Shrink Chuck ISO 7388-2 (JIS B6339)

Narrow design, coolant supply as per ISO 7388-2, Form JD/JF



Nominal size BT	Dimensions							G	sw	Weight [kg]	Order designation	Order No.
	$d_1$	$d_2$	$d_3$	$l_1$	$l_2$	$l_3$	$l_4$					
50	3	10	17	100	-	-	12			3.6	22.306.50.03.Z	30337721
50	4	15	22	100	-	-	16			3.7	22.306.50.04.Z	30337724
50	5	15	22	100	-	-	20			3.7	22.306.50.05.Z	30337727
50	6	21	27	100	36	10	26	M5	2.5	3.7	22.306.50.06.Z	30337730
50	8	21	27	100	36	10	26	M6	3	3.7	22.306.50.08.Z	30337733
50	10	24	32	100	41	10	31	M8x1	3	3.8	22.306.50.10.Z	30337736
50	12	24	32	100	47	10	37	M10x1	5	3.8	22.306.50.12.Z	30337739
50	14	27	34	100	47	10	37	M10x1	5	3.8	22.306.50.14.Z	30337742
50	16	27	34	100	50	10	40	M12x1	5	3.8	22.306.50.16.Z	30337745
50	18	33	42	100	50	10	40	M12x1	5	3.9	22.306.50.18.Z	30337748
50	20	33	42	100	52	10	42	M16x1	8	3.8	22.306.50.20.Z	30337751
50	25	44	53	110	58	10	48	M16x1	8	4.2	22.306.50.25.Z	30337754
50	32	44	53	110	62	10	52	M16x1	8	4.1	22.306.50.32.Z	30337757

Dimensions in mm.

Basic form JD. Please indicate form JF (prev. B) in your order.

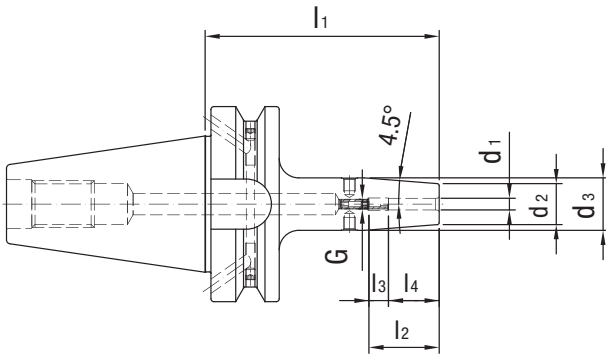
Shrink extensions, spare parts and accessories at the end of this chapter.

Custom designs and version with face connection on request.



# Shrink Chuck ISO 7388-2 (JIS B6339)

Long design, coolant supply as per ISO 7388-2, Form JD/JF



Nominal size BT	Dimensions							G	sw	Weight [kg]	Order designation	Order No.
	d <sub>1</sub>	d <sub>2</sub>	d <sub>3</sub>	l <sub>1</sub>	l <sub>2</sub>	l <sub>3</sub>	l <sub>4</sub>					
50	3	10	20	120	-	-	12	-	-	3.7	22.306.50.03.Z/120	30337722
50	3	10	20	160	-	-	12	-	-	3.9	22.306.50.03.Z/160	30337723
50	4	15	22	120	-	-	16	-	-	3.8	22.306.50.04.Z/120	30337725
50	4	15	22	160	-	-	16	-	-	4	22.306.50.04.Z/160	30337726
50	5	15	22	120	-	-	20	-	-	3.8	22.306.50.05.Z/120	30337728
50	5	15	22	160	-	-	20	-	-	4	22.306.50.05.Z/160	30337729
50	6	21	27	120	36	10	26	M5	2.5	3.8	22.306.50.06.Z/120	30337731
50	6	21	27	160	36	10	26	M5	2.5	4	22.306.50.06.Z/160	30337732
50	8	21	27	120	36	10	26	M6	3	3.8	22.306.50.08.Z/120	30337734
50	8	21	27	160	36	10	26	M6	3	4	22.306.50.08.Z/160	30337735
50	10	24	32	120	41	10	31	M8x1	3	4	22.306.50.10.Z/120	30337737
50	10	24	32	160	41	10	31	M8x1	3	4.2	22.306.50.10.Z/160	30337738
50	12	24	32	120	47	10	37	M10x1	5	4	22.306.50.12.Z/120	30337740
50	12	24	32	160	47	10	37	M10x1	5	4.2	22.306.50.12.Z/160	30337741
50	14	27	34	120	47	10	37	M10x1	5	4	22.306.50.14.Z/120	30337743
50	14	27	34	160	47	10	37	M10x1	5	4.2	22.306.50.14.Z/160	30337744
50	16	27	34	120	50	10	40	M12x1	5	4	22.306.50.16.Z/120	30337746
50	16	27	34	160	50	10	40	M12x1	5	4.2	22.306.50.16.Z/160	30337747
50	18	33	42	120	50	10	40	M12x1	5	4.2	22.306.50.18.Z/120	30337749
50	18	33	42	160	50	10	40	M12x1	5	4.6	22.306.50.18.Z/160	30337750
50	20	33	42	120	52	10	42	M16x1	8	4.2	22.306.50.20.Z/120	30337752
50	20	33	42	160	52	10	42	M16x1	8	4.6	22.306.50.20.Z/160	30337753
50	25	44	53	120	58	10	48	M16x1	8	4.5	22.306.50.25.Z/120	30337755
50	25	44	53	160	58	10	48	M16x1	8	4.8	22.306.50.25.Z/160	30337756
50	32	44	53	120	62	10	52	M16x1	8	4.4	22.306.50.32.Z/120	30337758
50	32	44	53	160	62	10	52	M16x1	8	4.6	22.306.50.32.Z/160	30337759

Dimensions in mm.

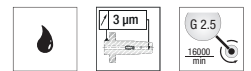
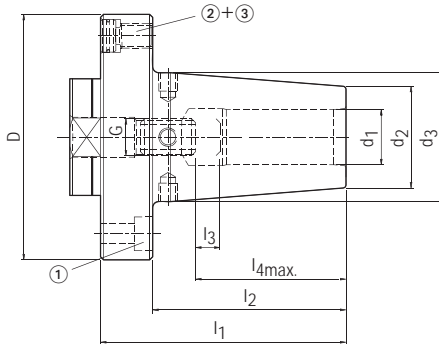
Basic form JD. Please indicate form JF (prev. B) in your order.

Shrink extensions, spare parts and accessories at the end of this chapter.

Custom designs and version with face connection on request.

# Shrink Chuck with radial and angular orientation

Module connection dimensions as per MN5000-14



Module diameter D	Dimensions							G	Weight [kg]	Order designation	Order No.
	d <sub>1</sub>	d <sub>2</sub>	d <sub>3</sub>	l <sub>1</sub>	l <sub>2</sub>	l <sub>3</sub>	l <sub>4</sub> max.				
60	6	21	27	70	57	10	36	M5	0.7	68.306.60.06.Z	30559449
60	8	21	27	70	57	10	36	M6	0.7	68.306.60.08.Z	30559531
60	10	24	32	70	57	10	41	M8x1	0.7	68.306.60.10.Z	30559536
60	12	24	32	70	57	10	46	M10x1	0.7	68.306.60.12.Z	30559537
70	14	27	34	75	60	10	46	M10x1	1	68.306.70.14.Z	30559543
70	16	27	34	75	60	10	49	M12x1	1	68.306.70.16.Z	30559544
80	18	33	42	80	63	10	49	M12x1	1.4	68.306.80.18.Z	30559545
80	20	33	42	80	63	10	51	M16x1	1.3	68.306.80.20.Z	30559547
100	25	44	53	80	59	10	57	M16x1	2.3	68.306.100.25.Z	30559548
100	32	44	53	80	59	10	61	M16x1	2.2	68.306.100.32.Z	30559551

## Spare parts for Shrink Chucks with radial and angular orientation

Module diameter D	Quantity required	① Cylinder Head Screw as per ISO 4762			② Thrust Piece		③ Grub Screw	
		Size	Order designation	Order No.	Order designation	Order No.	Order designation	Order No.
60	4	M5x16 – 12.9	89.122.144	10003601	89.122.113	10040108	89.122.146	10040109
70	4	M6x20 – 12.9	89.122.112	10003619	89.122.113	10040108	89.122.146	10040109
80	4	M6x20 – 12.9	89.122.112	10003619	89.122.113	10040108	89.122.114	10075074
100	4	M8x25 – 12.9	89.122.154	10003637	89.122.153	10075116	89.122.152	10075100

Supply includes: Built-in length adjustment screw with through hole.

Design: Due to threaded pins (for alignment) in the machine spindle and in the HSK or ISO adapter, exactly adjustable for radial run-out. Due to thrust pad and threaded pin in the shrink chuck, exactly adjustable for axial run-out. The clamping diameter is designed for a shank tolerance of h6.

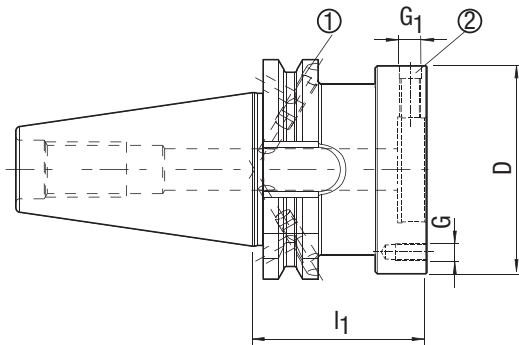
Dimensions in mm.

Shrink extensions, spare parts and accessories at the end of this chapter.

Custom designs available on request.

# Modular Short Taper Adapter ISO 7388-1, Form AD/AF

(prev. DIN 69871-AD/B)



Nominal size SK	Dimensions						Order designation	Order No.
	D	l <sub>1</sub>	G	G <sub>1</sub>	Form	Weight [kg]		
30*	60	50	M5	M8x1	AD	0.8	15.150.30.AD.60.Z	30584676
30*	70	50	M6	M8x1	AD	0.9	15.150.30.AD.70.Z	30584681
40	60	50	M5	M8x1	AD/AF	1.3	15.150.40.60.Z	30584684
40	70	50	M6	M8x1	AD/AF	1.4	15.150.40.70.Z	30584685
40	80	55	M6	M8x1	AD/AF	1.7	15.150.40.80.Z	30584686
40	100	60	M8	M10x1	AD/AF	2.2	15.150.40.100.Z	30584689
45	60	50	M5	M8x1	AD/AF	2.8	15.150.45.60.Z	30584690
45	70	50	M6	M8x1	AD/AF	2.9	15.150.45.70.Z	30584692
45	80	55	M6	M8x1	AD/AF	3.1	15.150.45.80.Z	30584694
45	100	60	M8	M10x1	AD/AF	3.3	15.150.45.100.Z	30584697
45	117	60	M8	M10x1	AD/AF	3.5	15.150.45.117.Z	30584698
50	60	50	M5	M8x1	AD/AF	3.2	15.150.50.60.Z	30584700
50	70	50	M6	M8x1	AD/AF	3.4	15.150.50.70.Z	30584701
50	80	50	M6	M8x1	AD/AF	3.6	15.150.50.80.Z	30584720
50	100	60	M8	M10x1	AD/AF	4.4	15.150.50.100.Z	30584721
50	117	60	M8	M10x1	AD/AF	4.5	15.150.50.117.Z	30584723
50	140	60	M10	M10x1	AD/AF	4.7	15.150.50.140.Z	30584724

\* Short taper size SK 30 is not available in the combination design AD/AF!

## Spare parts: Grub screws as per ISO 4026

Nominal size SK	Quantity required	① Grub Screw as per ISO 4026		
		Size	Order designation	Order No.
40. 45. 50	2	M5x5	89.122.688	10036757

## Spare parts: Grub screws

Module diameter D	Quantity required	② Grub Screw	
		Order designation	Order No.
60-80	4	89.122.685	10075355
100-140	4	89.122.684	10075099

Usage: For use in the machine spindle for mounting KS flange adapters, shrink chucks, hydraulic chucks, chucks for cylindrical shanks or tools with a modular shank in accordance with WTE works standard.

Supply includes: Complete with threaded pins for aligning the radial run-out, does not include pull stud.

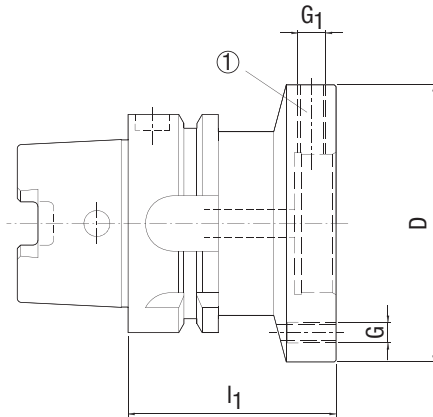
Design: Due to threaded pins the radial run-out of a connection or tool fitted can be adjusted exactly in relation to the steep taper.

Dimensions in mm.

Basic form AD. Please indicate form AF (prev. B) in your order.

Spare parts and accessories at the end of this chapter. Custom designs available on request.

# Modular Short Taper Adapter HSK-A as per DIN 69871



Nominal size HSK-A	Dimensions					Order designation	Order No.
	D	$l_1$	G	$G_1$	Weight [kg]		
40	60	60	M5	M8x1	0.7	16.150.40.60.Z	30615827
50	60	60	M5	M8x1	0.9	16.150.50.60.Z	30584456
50	70	60	M6	M8x1	1	16.150.50.70.Z	30584465
50	80	60	M6	M8x1	1.1	16.150.50.80.Z	30584469
63	60	60	M5	M8x1	1.3	16.150.63.60.Z	30584473
63	70	60	M6	M8x1	1.4	16.150.63.70.Z	30584477
63	80	60	M6	M8x1	1.5	16.150.63.80.Z	30584478
63	100	65	M8	M10x1	2.1	16.150.63.100.Z	30584481
63	117	65	M8	M10x1	2.5	16.150.63.117.Z	30584482
80	60	50	M5	M8x1	1.6	16.150.80.60.Z	30584487
80	70	60	M6	M8x1	2	16.150.80.70.Z	30584489
80	80	60	M6	M8x1	2.1	16.150.80.80.Z	30584490
80	100	65	M8	M10x1	2.6	16.150.80.100.Z	30584491
80	117	65	M8	M10x1	3.1	16.150.80.117.Z	30584492
80	140	75	M10	M10x1	4.2	16.150.80.140.Z	30584493
100	60	55	M5	M8x1	2.8	16.150.100.60.Z	30584495
100	70	55	M6	M8x1	2.8	16.150.100.70.Z	30584497
100	80	55	M6	M8x1	3	16.150.100.80.Z	30584498
100	100	65	M8	M10x1	3.7	16.150.100.100.Z	30584499
100	117	65	M8	M10x1	4	16.150.100.117.Z	30584500
100	140	75	M10	M10x1	5.2	16.150.100.140.Z	30584502

## Spare parts: Grub Screw for HSK-A adapter as per DIN 69871

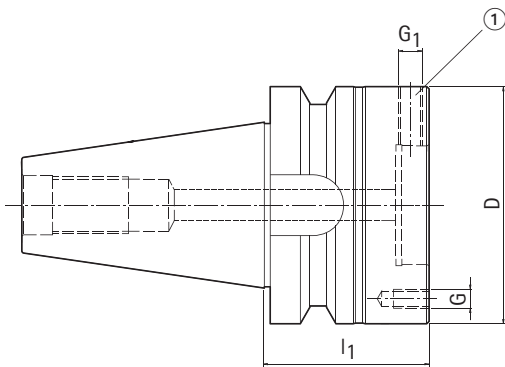
Module diameter D	Quantity required	① Grub Screw			
		Weight [kg]	Size	Order designation	Order No.
60-80	4	0.001	M8x1x16	89.122.685	10075355
100-140	4	0.001	M10x1x20	89.122.684	10075099

Supply includes: Complete with threaded pins for aligning the radial run-out, does not include coolant tube.

Dimensions in mm.

Spare parts and accessories at the end of this chapter. Custom designs available on request.

## Modular Short Taper Adapter BT as per ISO 7388-2 (JIS B6339), Form JD



Nominal size BT	Dimensions					Order designation	Order No.
	D	l <sub>1</sub>	G	G <sub>1</sub>	Weight [kg]		
30	60	40	M5	M8x1	0.7	22.150.30.60.Z	30584725
30	70	40	M6	M8x1	0.8	22.150.30.70.Z	30584726
40	60	55	M5	M8x1	1.5	22.150.40.60.Z	30584734
40	70	55	M6	M8x1	1.6	22.150.40.70.Z	30584736
40	80	65	M6	M8x1	2	22.150.40.80.Z	30584751
40	100	70	M8	M10x1	2.6	22.150.40.100.Z	30584752
45	60	65	M5	M8x1	3	22.150.45.60.Z	30584755
45	70	65	M6	M8x1	3.1	22.150.45.70.Z	30584756
45	80	65	M6	M8x1	3.3	22.150.45.80.Z	30584757
45	100	75	M8	M10x1	3.5	22.150.45.100.Z	30584760
45	117	75	M8	M10x1	4.4	22.150.45.117.Z	30584762
50	60	70	M5	M8x1	4.8	22.150.50.60.Z	30584764
50	70	70	M6	M8x1	4.9	22.150.50.70.Z	30584765
50	80	70	M6	M8x1	5.1	22.150.50.80.Z	30584767
50	100	70	M8	M10x1	5.3	22.150.50.100.Z	30584769
50	117	80	M8	M10x1	6.3	22.150.50.117.Z	30584770
50	140	80	M10	M10x1	6.6	22.150.50.140.Z	30584772

### Spare parts: Grub Screw for Modular Short Taper Adapter as per ISO 7388-2 (JIS B6339), Form JD

Module diameter D	Quantity required	① Grub Screw			
		Weight [kg]	Size	Order designation	Order No.
60-80	4	0.001	M8x1x16	89.122.685	10075355
100-140	4	0.001	M10x1x20	89.122.684	10075099

Usage: For use in the machine spindle for mounting KS flange adapters, shrink chucks, hydraulic chucks, chucks for cylindrical shanks or tools with a modular shank in accordance with WTE works standard.

Supply includes: Complete with threaded pins for aligning the radial run-out, does not include pull stud.

Design: Due to threaded pins the radial run-out of a connection or tool fitted can be adjusted exactly in relation to the steep taper.

Dimensions in mm.

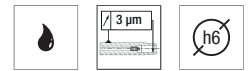
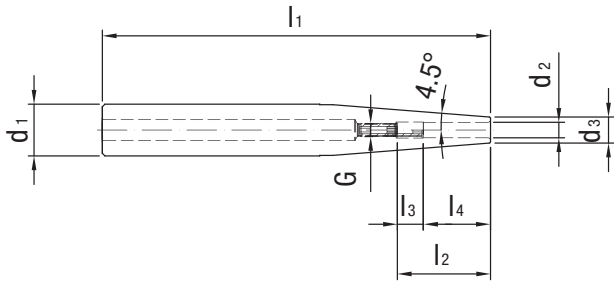
Spare parts and accessories at the end of this chapter.

Custom designs and version with face connection on request.

## Shrink Extension

As flexible adaptation, length adjustment screw (from  $\varnothing$  6mm)

Tool length as per customer request possible

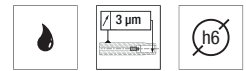
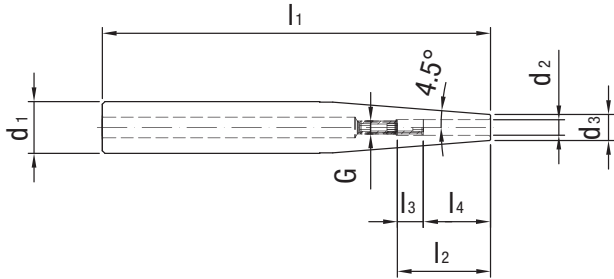


Dimensions							G	sw	Weight [kg]	Order designation	Order No.
d <sub>1</sub>	d <sub>2</sub>	d <sub>3</sub>	l <sub>1</sub>	l <sub>2</sub>	l <sub>3</sub>	l <sub>4</sub>					
12	3	8	150	-	-	12	-	0.1	-	40.357.12.03.Z	30344729
12	4	8	150	-	-	16	-	0.1	-	40.357.12.04.Z	30344730
12	5	10	150	-	-	20	-	0.1	-	40.357.12.05.Z	30344731
12	6	10	150	36	10	26	M5	2.5	0.1	40.357.12.06.Z	30344732
16	3	10	150	-	-	12	-	0.2	-	40.357.16.03.Z	30344733
16	4	10	150	-	-	16	-	0.2	-	40.357.16.04.Z	30344734
16	5	10	150	-	-	20	-	0.2	-	40.357.16.05.Z	30344735
16	6	10	150	36	10	26	M5	2.5	0.2	40.357.16.06.Z	30344736
16	8	12	150	36	10	26	M6	3	0.2	40.357.16.08.Z	30344737
20	3	10	150	-	-	12	-	0.3	-	40.357.20.03.Z	30344738
20	4	10	150	-	-	16	-	0.3	-	40.357.20.04.Z	30344739
20	5	10	150	-	-	20	-	0.3	-	40.357.20.05.Z	30344740
20	6	10	150	36	10	26	M5	2.5	0.3	40.357.20.06.Z	30344741
20	8	12	150	36	10	26	M6	3	0.3	40.357.20.08.Z	30344742
20	10	14	150	42	10	32	M8x1	3	0.3	40.357.20.10.Z	30344743
20	12	16	150	47	10	37	M10x1	5	0.3	40.357.20.12.Z	30344744

## Shrink Extension

As flexible adaptation, length adjustment screw (from  $\varnothing$  6mm)

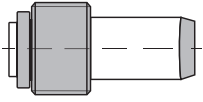
Tool length as per customer request possible



Dimensions							G	sw	Weight [kg]	Order designation	Order No.
d <sub>1</sub>	d <sub>2</sub>	d <sub>3</sub>	l <sub>1</sub>	l <sub>2</sub>	l <sub>3</sub>	l <sub>4</sub>					
25	3	10	150	-	-	12	-	0.5	-	40.357.25.03.Z	30344745
25	4	10	150	-	-	16	-	0.5	-	40.357.25.04.Z	30344746
25	5	15	150	-	-	20	-	0.5	-	40.357.25.05.Z	30344747
25	6	20	150	36	10	26	M5	2.5	0.5	40.357.25.06.Z	30344748
25	8	20	150	36	10	26	M6	3	0.5	40.357.25.08.Z	30344749
25	10	20	150	42	10	32	M8x1	3	0.5	40.357.25.10.Z	30344750
25	12	20	150	47	10	37	M10x1	5	0.5	40.357.25.12.Z	30344751
25	14	20	150	47	10	37	M10x1	5	0.4	40.357.25.14.Z	30344752
25	16	22	150	50	10	40	M10x1	5	0.4	40.357.25.16.Z	30344753
32	6	20	150	36	10	26	M5	2.5	0.8	40.357.32.06.Z	30344754
32	8	20	150	36	10	26	M6	3	0.8	40.357.32.08.Z	30344755
32	10	24	150	42	10	32	M8x1	3	0.8	40.357.32.10.Z	30344756
32	12	24	150	47	10	37	M10x1	5	0.8	40.357.32.12.Z	30344757
32	14	27	150	47	10	37	M10x1	5	0.8	40.357.32.14.Z	30344758
32	16	27	150	50	10	40	M10x1	5	0.8	40.357.32.16.Z	30344759
32	18	27	150	50	10	40	M10x1	5	0.7	40.357.32.18.Z	30337832
32	20	27	150	52	10	42	M10x1	5	0.7	40.357.32.20.Z	30337833

## Coolant Transfer Pipe

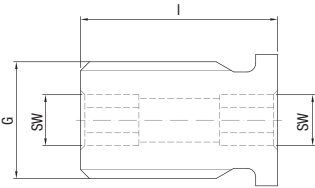
For DIN 69893-A/E



HSK	Weight [kg]	Order designation	Order No.
32	0.01	89.220.72	30326003
40	0.01	89.220.73	30326004
50	0.02	89.220.74	30326005
63	0.02	89.220.75	30326006
80	0.02	89.220.76	30326007
100	0.03	89.220.77	30326008

## Stop Screw direct clamping

For axial length adjustment

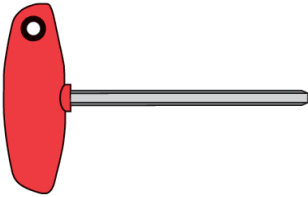


G	sw	l	Weight [kg]	Order designation	Order No.
M5	2	14	0.001	89.122.102	30336661
M5	2.5	12.5	0.001	89.122.88	30252539
M6	2	14	0.001	89.122.98	30252537
M6	3	12.5	0.002	89.122.89	30252540
M8x1	3	13.5	0.004	89.122.23	30252541
M10x1	5	13.5	0.006	89.122.90	30252542
M12x1	5	13.5	0.011	89.122.24	30252543
M16x1	5	13.5	0.017	89.122.19	30252544
M16x1	8	13.5	0.021	89.122.91	30252547



## Hexagonal T-key

For axial length adjustment



sw	l	Weight [kg]	Order designation	Order No.
2	200	0.02	89.206.09	10034235
2.5	150	0.02	89.206.01	10034540
3	150	0.02	89.206.02	10013347
5	150	0.06	89.206.03	10041807
8	150	0.1	89.206.04	10041808

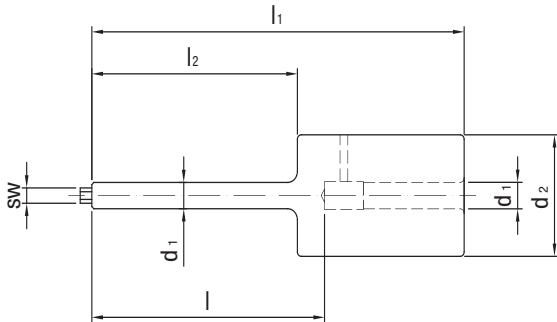
## ISO Protective Gloves



Weight [kg]	Order designation	Order No.
0.2	98.100.040	30336681

## Length Presetter for Shrink Chucks

The WTE Length Presetter is used for easy length presetting of the tools before the shrink process. The stop screw must have a hexagon socket on two sides for length presetting with the appropriate careful and precise work method even with shrinkage accuracies of  $\pm 0.02$  mm are achieved.



Dimensions					sw	For	Weight [kg]	Order designation	Order No.
d <sub>1</sub>	d <sub>2</sub>	d <sub>3</sub>	l <sub>1</sub>	l <sub>2</sub>					
3	15	40	65	30	2	WTE Shrink Chucks	0.2	98.602.017	30345078
4	15	40	65	30	2	WTE Shrink Chucks	0.2	98.602.018	30387351
5	15	40	65	30	2	WTE Shrink Chucks	0.2	98.602.019	30387352
6	25	60	96	53	2.5	WTE Shrink Chucks	0.2	98.602.001	30345062
8	25	60	96	53	3	WTE Shrink Chucks	0.2	98.602.002	30345063
10	25	60	101	53	3	WTE Shrink Chucks	0.2	98.602.003	30345064
12	25	60	107	53	5	WTE Shrink Chucks	0.2	98.602.007	30345068
14	25	60	107	53	5	WTE Shrink Chucks	0.2	98.602.008	30345069
16	25	60	110	53	5	WTE Shrink Chucks	0.3	98.602.009	30345070
18	25	60	110	53	5	WTE Shrink Chucks	0.3	98.602.010	30345071
20	28	60	112	53	5	HSK 50;63	0.3	98.602.011	30345072
20	28	60	112	53	8	HSK 80;100/SK/BT	0.3	98.602.013	30345074
25	32	70	128	63	5	WTE Shrink Chucks HSK 63	0.3	98.602.020	30393208
25	32	70	128	63	8	HSK 80;100/SK/BT	0.3	98.602.021	30393210
32	40	70	132	63	5	HSK 63	0.3	98.602.022	30411108
32	40	70	132	63	8	HSK 80;100/SK/BT	0.3	98.602.023	30411109

